

AquaForte UltraBead Beadfilters

User manual





Important Please read these instructions for use carefully before installing this device.

AquaForte introduce the new UltraBead filters! After more than 17 years of success, Europe's most popular beadfilter is followed up by a new generation. The new UltraBead filters are manufactured of chemical-resistant, weather resistant, inalterable thermoplastic with the world's most reliable injection moulding method with built in base. All models are equipped with a totally new designed multiport valve construction with integrated by-pass! This guarantees a maximum flow with minimal pressure loss. Furthermore, the UB140 is fitted with Ø75mm pipework for even less resistance.

Beadfilters are closed (pressure) vessels filled with millions of small plastic beads. These beads float and therefore provide a means of mechanical filtration and the enormous surface of these beads provides the biological filtration.

Mechanical filtration: the beads float in a closed vessel and are packed very close to each other. The pressure of the pump makes the water flow upward through the beads. The small dirt particles will stick to the bead pack. The longer the filter is active, the more biofilm there will be around the beads and therefore small particles can be filtered (down to 10 micron!).

Biological filtration: the specific surface of the beads is about 1600m² per m³, so the bio film layer around the beads is extremely useful for nitrifying bacteria that consume vast amounts of ammonia, nitrites and nitrates.

The fish load in the table is based on 1% feed per day.

Recommended pump capacity: in a water column of 2 - 3 m (0,2 -0,3 bar) the pump should be able to circulate 50% of the actual water volume per hour (see specifications of the various pumps). Ponds larger than 40 m³ should have a pump with an actual capacity of 25% to 33% of the water volume per hour. Filters are delivered incl. beads.

CAUTION: Max. working pressure 2,5 bar (25 meter).

Beadfilters are also the ideal filter for swimming ponds! They provide perfectly clear, healthy water!

FOR MORE INFORMATION: www.ultrabead.com.

UltraBead filters come with a 230VAC electric blower for cleaning the filter. Please read the safety instructions carefully before using this blower:

SAFETY

- Always insert the mains plug of the blower in a switched socket with cover.
- Always use a residual-current device (RCD) (max. 30 mA).
- Always make sure that the blower is voltage-free before you perform maintenance or repair work on the device. Never insert from the plug in or remove it from a socket if you are standing in a pool of water or have wet hands.
- This product is not suitable for use by persons (including children) with reduced physical, sensory or intellectual capacities, or lack of experience and knowledge, unless they are supervised or instructed on the use of the device by a person responsible for their safety.
- The power lead of this device is not replaceable. In the event of damage to the power lead the complete device must be replaced. A device with cut off plug is not covered by warranty.
- Never immerse the device in water.
- Keep children away from this device and the lead.
- This product is only to be used in accordance with the guidelines described in this manual.

INSTALLATION INSTRUCTIONS

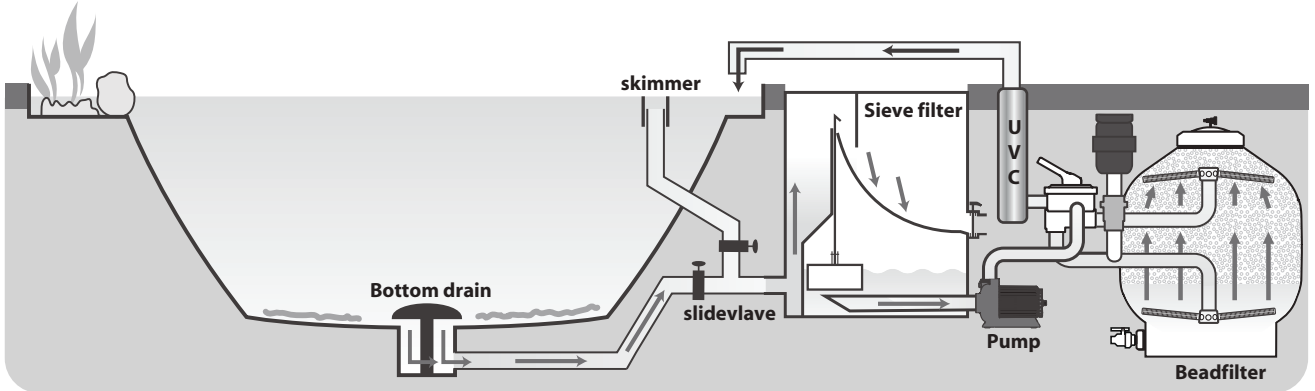


Pre-filters: as the inlet/outlet pipework system of the beadfilters have small openings of $\pm 1,5\text{mm}$ you cannot pump dirty pond water directly into a beadfilter as the waste particles will block these openings. Always use a pre-filter that is capable of filtering out these waste particles first!

Below we give a few examples of possible pre-filter options:

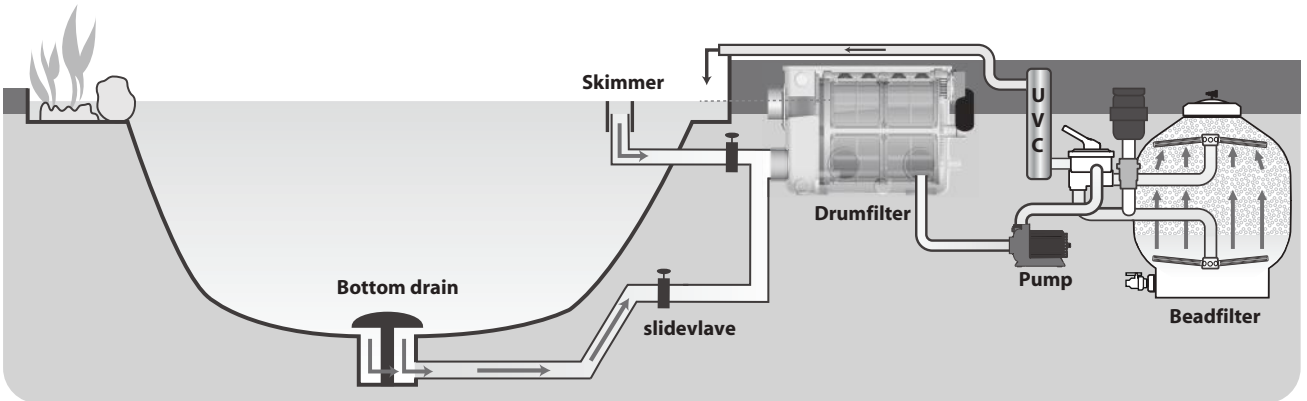
GRAVITY FED SIEVE FILTER SYSTEM

The water travels in gravity from the bottom drain and skimmer to the Sieve filter. From the Sieve filter the water is pumped into the Beadfilter and goes back to the pond through a UVC-unit.



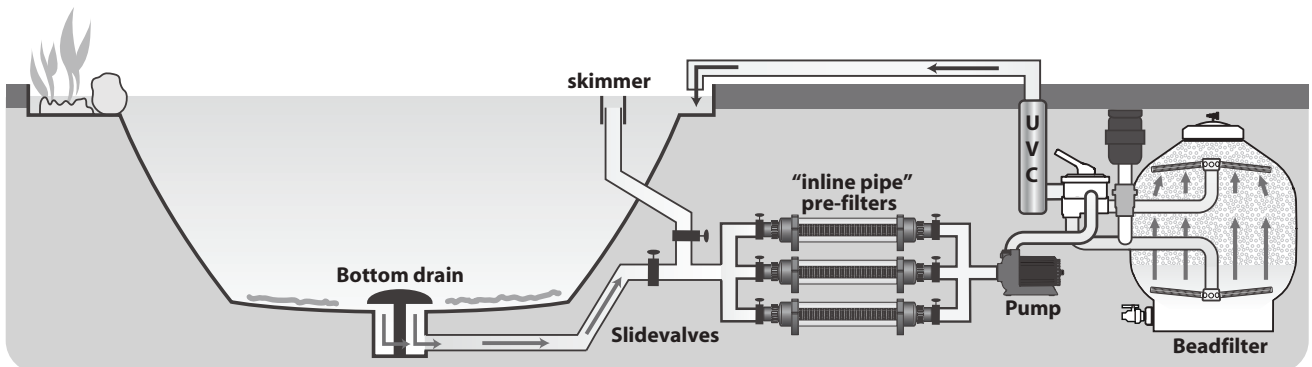
GRAVITY FED DRUMFILTER SYSTEM

The water travels in gravity from the bottom drain and skimmer to the Drumfilter. From the Drumfilter the water is pumped into the Beadfilter and goes back to the pond through a UVC-unit.



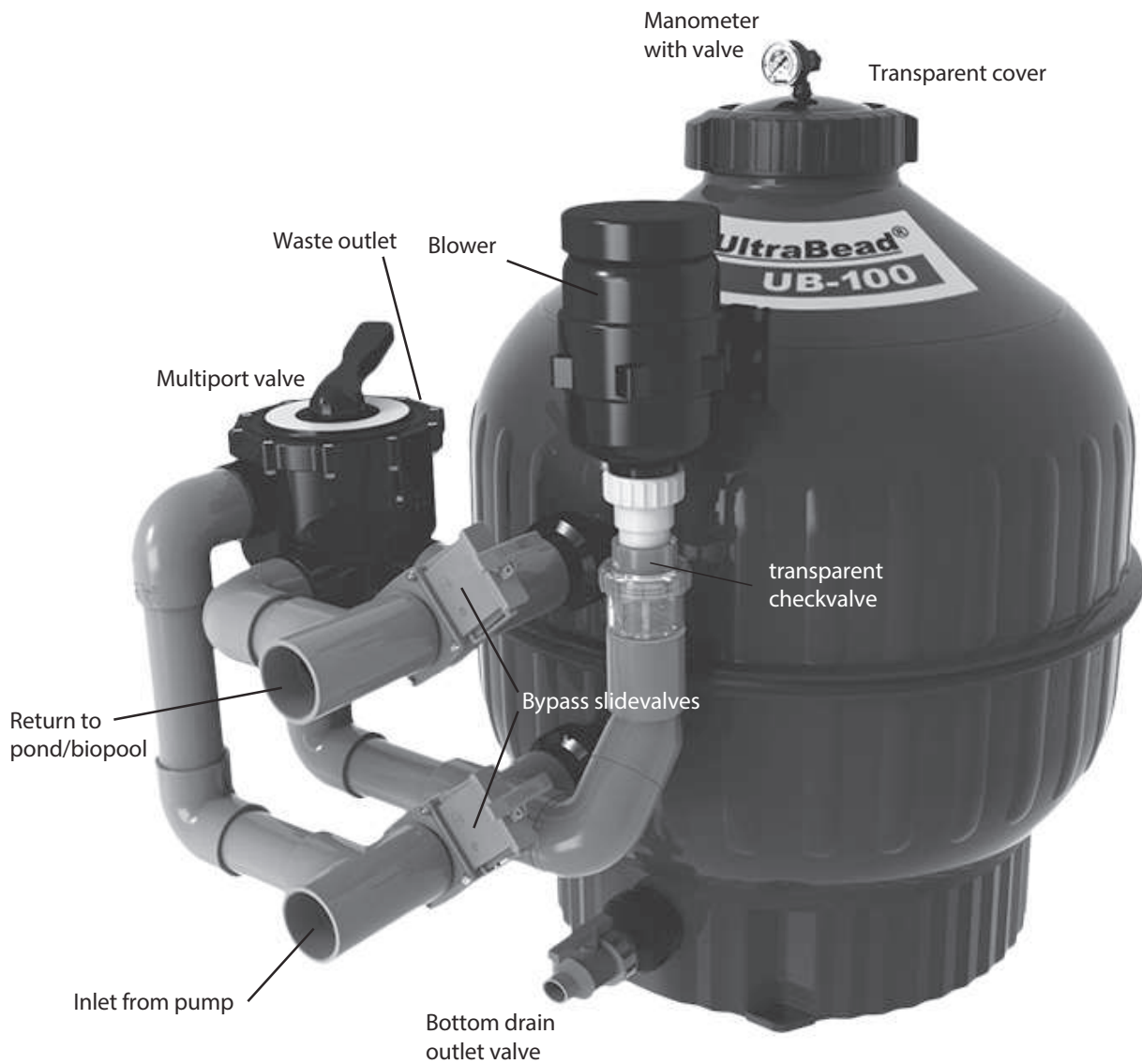
INLINE PIPE PRE-FILTER SYSTEM

When the technical room is lower than the water level of the pond we can use the AquaForte inline pipe pre-filter system (RD430) as an alternative pre-filter. The rest of the system can be the same as in the above examples. When you install 2 or 3 in parallel you can clean them one by one without stopping the pump.



GETTING TO KNOW YOUR AQUAFORTE ULTRABEAD FILTER.

We suggest you take a few minutes to familiarize yourself with your UltraBead® filter.



INSTALLATION INSTRUCTIONS

The filter should be installed as close as possible to the pond/biopool.
Make sure there is drainage available at the place where the filter is to be installed.



If the filter is installed indoors, a correctly sized drain should be installed, to drain off as much water as possible from the pond/biopool, to avoid flooding risks of the premises or adjoining areas. If this is not done, the filter manufacturer will not be held liable for possible damage to third parties caused by the filter.

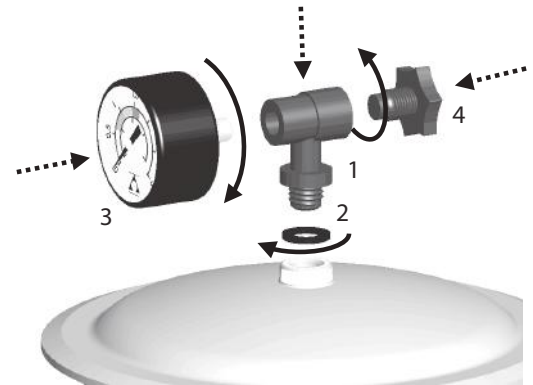
ATTENTION

IMPORTANT: Always leave enough space round the filter in order to perform the necessary examinations and maintenance during the filter's life.

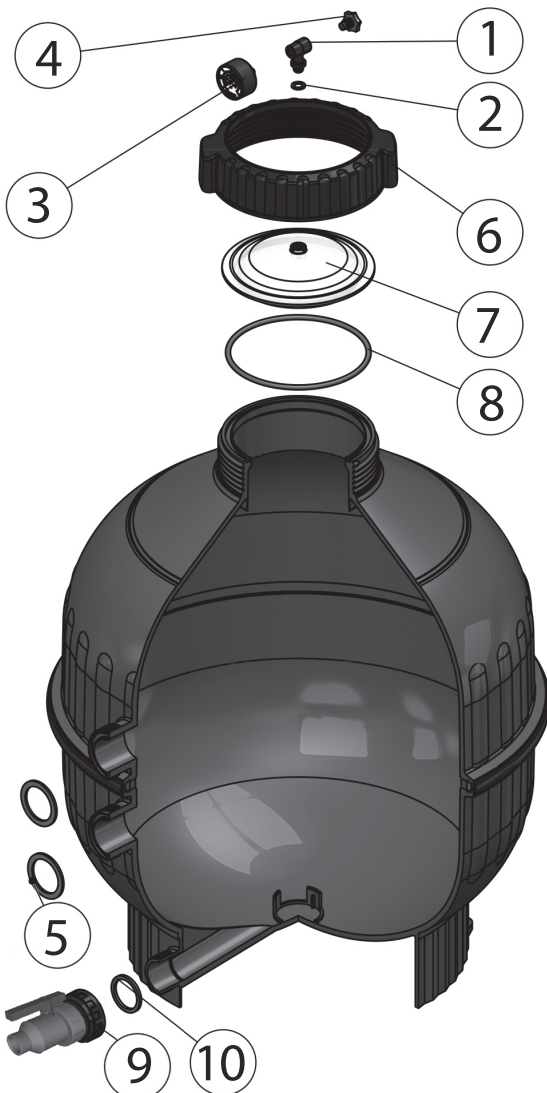
ASSEMBLY (1)

Follow these indications for a correct assembly of the filter:

1. Place the filter on a horizontal and clean surface.
2. Place the filter in its final location.
3. Install the selector valve with bypass in the filter. Make sure that the joints (5) between the valve and the filter are correctly placed.
4. Perform the three connections: pump piping to the "inlet from pump" connection, valve to the waste drain (Ø63mm) and "return to pond/biopool" for the return of the filtered water to the pond/biopool.
5. Set the manometer T (1), the joint (2), the manometer (3) and the air drainage (4). It is not necessary to use teflon tape, as the watertightness is guaranteed in this case by the joint. Do not tighten the manometer T with a tool, as manually will be sufficient.



Assembly of the manometer (with valve)



ASSEMBLY (2)

Install the bottom drain valve (9) by using the joint (10) on the threaded bottom outlet and (hand tighten only, no tools). You can position the blue handle of the ball valve on top by loosening the grey nut of the ball valve and turning the valve.

BEAD LOAD

Load up when the filter is installed in position and the connection pipes have been joined.

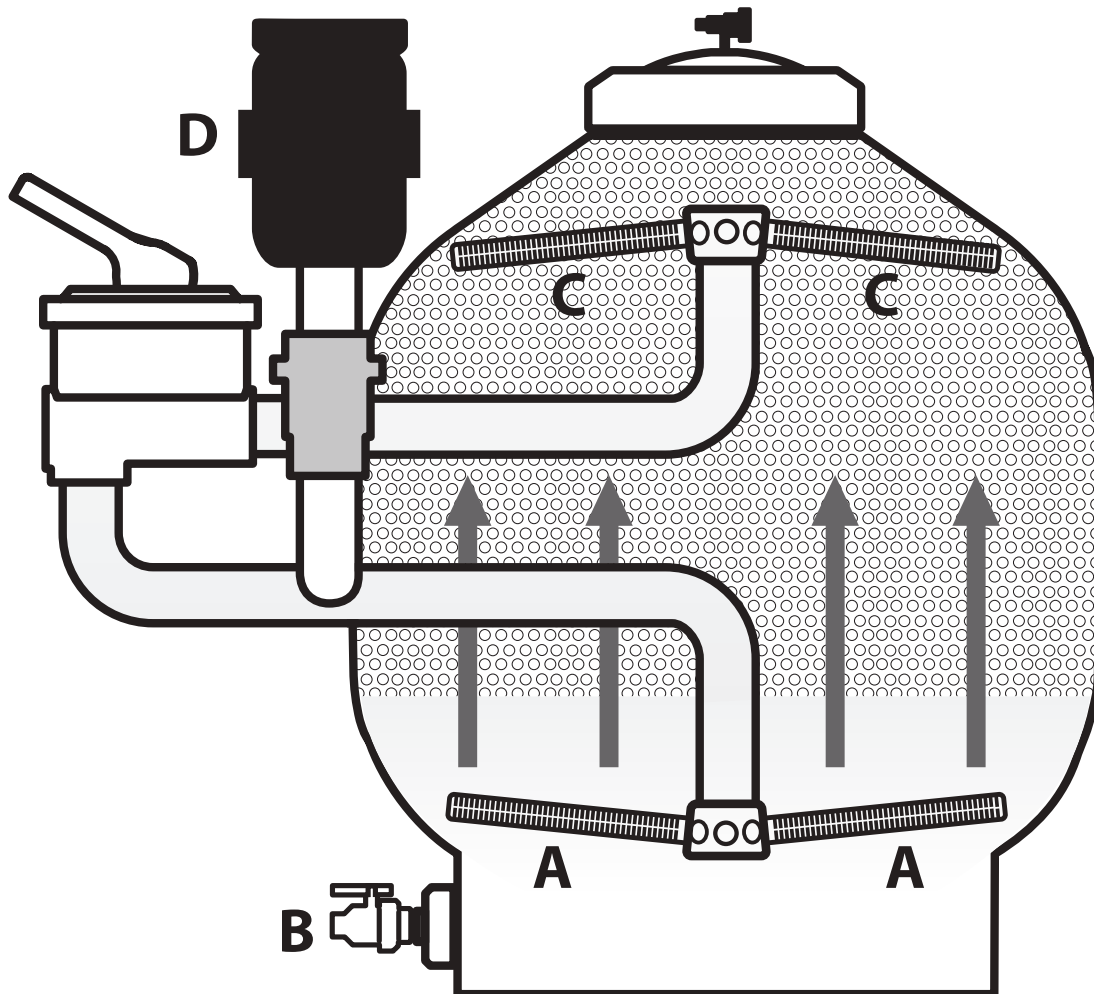
1. Unscrew and remove the cover (6).
2. Remove the transparent cover (7) and the O-ring (8).
3. Check that all collector arms are in good condition.
4. Fill the filter with water to half capacity.
5. Pour the beads slowly and very carefully inside the filter.
6. Clean the seating of the lid joint.
7. Place the O-ring (8) and transparent cover (7).
8. Screw on the cover (6).

Attention: when operating check that water does not leak from the filter through the cover.

Note: the manufacturer will not be held responsible for any damage caused to the filter while filling it with beads.

BEADFILTER OPERATION

EN



Water enters into the tank (A) under pressure from the pump. The solids are collecting in the centre of the filter, waiting to be hydraulically purged out under pressure from the pump. All you have to do is open the sludge separation valve (B) with the pump running and the filter in it's normal filtration mode and the heavier solids are evacuated in just a couple of seconds. What does all of this mean? The most unique, efficient filter of its kind. An efficient filter doesn't hold solids, it gets rid of them!

Now that the water is in the tank it is forced slowly upward in the vessel through millions of beads about 3-4mm in size. On these beads are billions of nitrifying bacteria and these hungry bacteria are consuming vast amounts of ammonia, nitrites, etc. and performing what is known as nitrification. This is how we actually have clean, healthy water is due to the work these microscopic organisms are performing. Water continues to flow upward through the beads and exits out of the vessel via the top spray bar (C). This water then continues back to the pond/biopool.

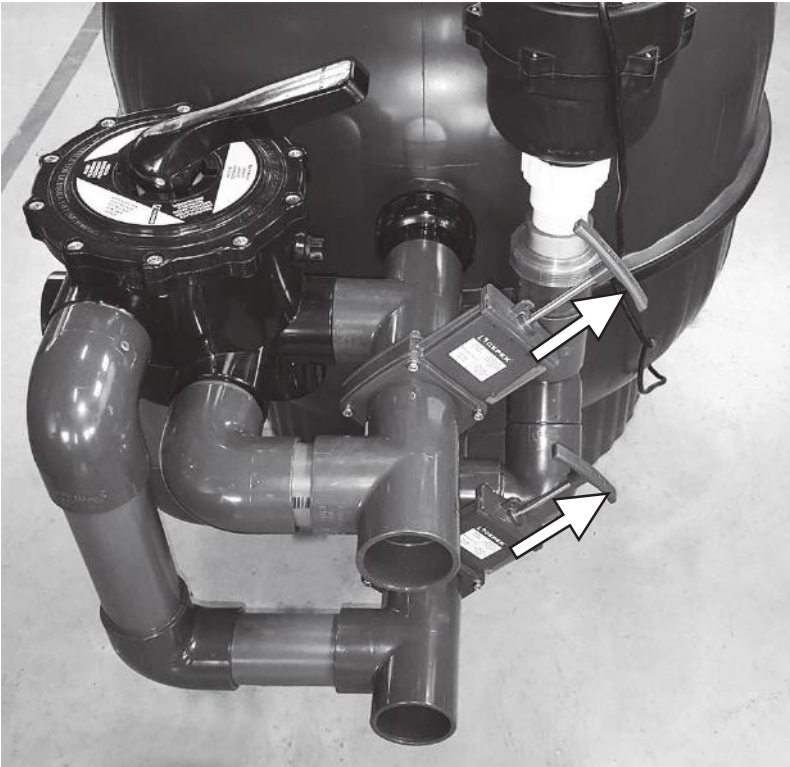
The UltraBead® series have another unique feature: the Blower (D). This blower is mounted on a special air check valve. It is important that the valve be in the rinse position for the blower agitation of the beads. When the blower is active the beads and debris are dispersed throughout the interior of the filter. This breaks up the beads and releases the trapped particles. This debris then can easily be backwashed out to waste through the spray bar (C). After the RINSE cycle with air we perform a backwash in which the water enters at C and leaves the filter through A. After the backwash there will be another RINSE cycle but with water instead of air. This takes any remaining debris and sends it to waste (from A to C), instead of sending a cloud of dirt back to the pond. You can find the full details on backwashing the filter on page 7 & 8.

BACKWASH FREQUENCY

For ponds with fish (koi) it is recommended to clean the filter once or twice per week during the feeding season. For swimming ponds/biopools it is recommended to clean the filter once per week or once per 2 weeks during the swimming season.

USING THE BY-PASS

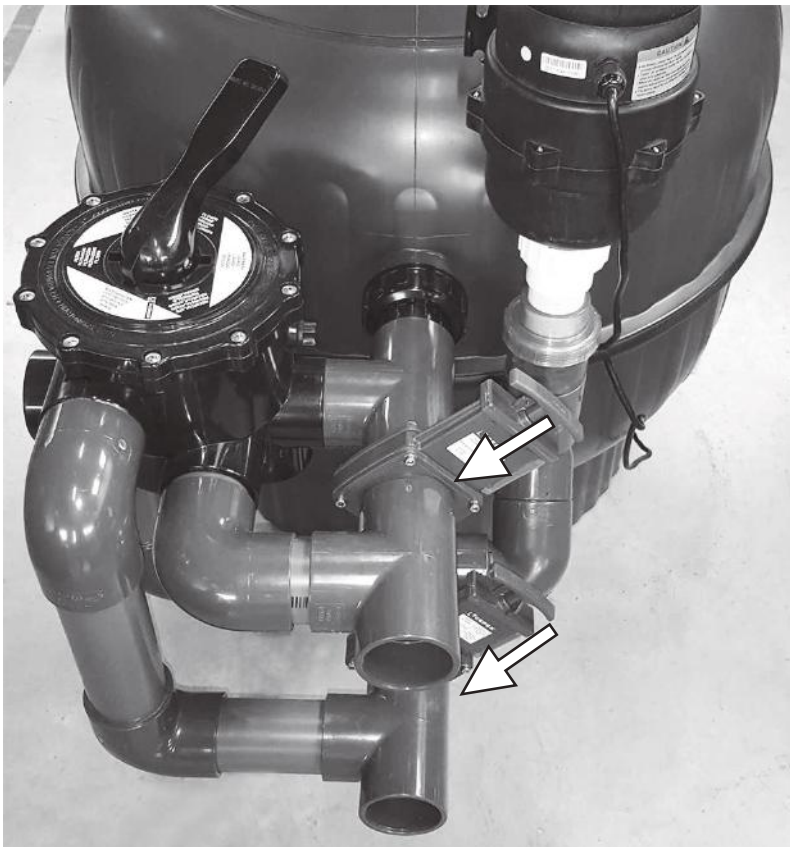
In order to save power consumption, the UltraBead filters come including a by-pass system that allows to bypass the multiport valve during Filtration. This can save up to 30-40% energy (depending on pressure loss and pump type).



FILTRATION

During **FILTRATION** the 2 slide valves are in fully open position and the Multiport valve is in **FILTER** position (see photo).

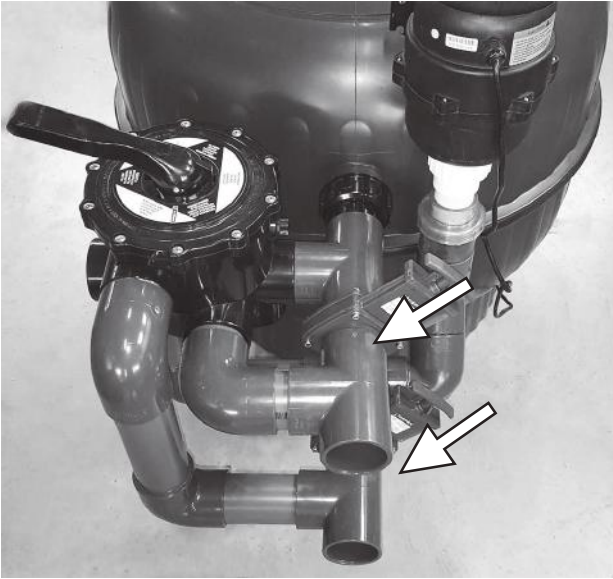
CLEANING PROCEDURE



1. RINSE WITH AIR

1. Stop the pump and close the two slidevalves.
 2. Move the Multiport valve from **FILTER** to **RINSE** position (see photo).
 3. Now start the blower to separate the waste particles from the beads. You can use the blower for 2-3 minutes.
 4. Stop the blower and start the pump to refill the tank with water. When the water has reached the top of the lid you can stop the pump.
- NOTE: in order to save water during backwash you can repeat steps 3 and 4 to perform an extra rinse with air.

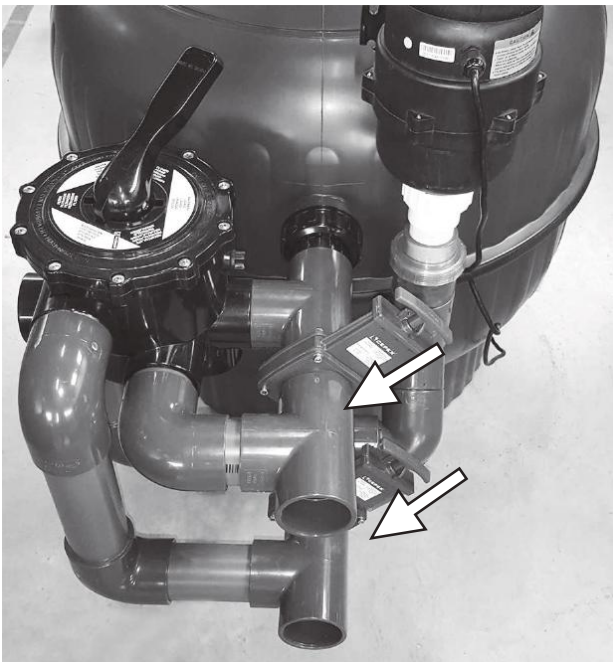
CLEANING PROCEDURE (2)



2. BACKWASH WITH WATER

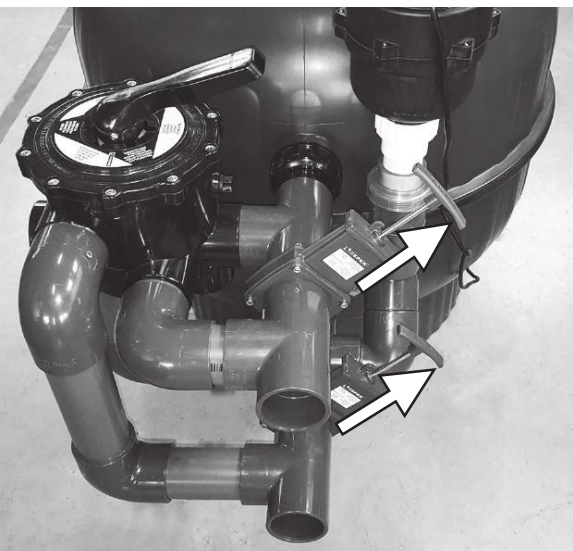
1. Move the Multiport valve from **RINSE** to the **BACKWASH** position (see photo).
2. Now start the pump to flush the waste particles out with water. Please look at the sightglass of the valve to see if the water going out is still dirty.
3. As soon as this water becomes clear you can stop the pump. A backwash should normally takes 1 - 2 minutes.

NOTE: if you are using a variable speed pump you can increase the speed to perform an extra efficient backwash.



3. RINSE WITH WATER

1. Move the Multiport valve from **BACKWASH** to the **RINSE** position (see photo).
2. Now start the pump to flush the last waste particles out with water. Please look at the sightglass of the valve to see if the water going out is still dirty.
3. As soon as this water becomes clear you can stop the pump. A rinse with water normally takes 30 - 60 seconds.



4. Stop the pump and move the multiport valve back to the **FILTER** position. You can now move the handles of the slidevalves again to the fully open position.
5. Start the pump.
You are now back in **FILTRATION** mode.

THE MULTIPOINT VALVE

“FILTER”: water enters the Beadfilter at the lower inlet and goes upward through the beads and exits out of the vessel via the top spray bar to return to the pond.



“RECIRCULATE”: With the “RECIRCULATE” feature you can bypass your filter and flow the water from pond to pump to multiport and back to pond. This comes in handy when you are treating the pond with medication.



“WASTE”: allows the water to bypass the filter and go directly to waste, such as when you are performing a backwash cycle. You can also use the waste setting to vacuum out your pond without the garbage going into your filter, it bypasses the filter via the multiport and goes out to waste.



“RINSE”: The first time we use the RINSE feature to wash the beads with the blower which forces huge amounts of air into the vessel and since air rises in water, the beads are broken apart by this action, making a thorough backwash easy to accomplish. After the backwash function we use the RINSE feature again but now with water instead of air. It is impossible to get every little bit of debris out of a filter and this causes these small particles to exit in the waste line instead of going back into the pond.



“BACKWASH”: In this position we let the pump run until the water in sight glass is clear (normally 1 to 2 minutes). The water enters the filter from the top spray bar and exits the vessel at the lower pipework and goes out to waste.



“CLOSED”: Valve closed. Never use this position with the pump running.



FILTER MATURATION

This has been stated earlier, but is very important. It takes 4-6 weeks of operation at temperatures above 16-18°C. Before there is a large enough colony of bacteria to handle the bioconversion of ammonia and fine particulate straining. During this transition period the pond owner must watch the ammonia and nitrite levels in the pond. If they become dangerously high, steps should be taken to correct the problem, such as a water change. Also during this period fine particulate straining will not be fully mature and you may notice your water being less polished than you would like. Both of the above issues will improve with time and the growth of the bacterial colony. This will occur with any type of bead filter used. To help the nitrification process you can add bacterial cultures such as Microbe-Lift Super Start, Microbe-Lift Nite Out II, or Microbe-Lift Filter Gel (available at your UltraBead dealer).

ULTRAVIOLET LIGHT STERILIZERS

Bead filters will remove suspended particles down to 5-10 microns in size. However, some algae particles are smaller than 5 microns and will not be removed by the beads. These tiny algae cells will give the water a green cast and affect the clarity of the water. If the pond owner wants crystal clear swimming pool clarity, then a UV-light is needed. UV-lights will also remove many harmful bacteria and decrease the suspended bacterial counts in the water. We recommend the use of UV-lights for the above reasons.

Note If you leave your filter unbackwashed for two or more weeks, it is a good idea to do an extra long blower treatment on the beads.

Word of Caution If you leave your filter unbackwashed for extended periods of time, and you live in an area with relatively soft water, you may want to buffer your pond water. The bacteria in the filter can consume enough alkalinity (KH) in the water to cause a dangerous pH drop. Total alkalinity should be kept above 50ppm (3°dH) to avoid potentially dangerous shifts. To increase alkalinity, add sodium bicarbonate, change the water, or add a commercially prepared pH Buffer like AquaForte BioStabil.

NOTES ON NITRIFICATION

When ammonia removal is desired first start with MICROBE-LIFT Clean & Clear to reduce the organic waste in the pond as high levels of BOD can inhibit nitrification by competing with the nitrifying micro organisms for necessary oxygen. After applying MICROBE-LIFT Clean & Clear wait 24 to 48 hours to do its job, and then apply MICROBE-LIFT NITE-OUT II. Prior to the addition of NITE-OUT II (to start and maintain nitrification). Check to make sure that the pond's pH is in the correct range for nitrification. Adjust the pond pH to a range of 7.5 to 8.7, and check to see if adequate alkalinity is present as you must maintain a level of at least 50/ppm (3°dH) of alkalinity at all times. This is necessary as nitrifying micro organisms use 7 parts of alkalinity for each part of ammonia removed (oxidized). If proper alkalinity is not present, NITRIFICATION WILL NOT OCCUR, and if alkalinity is lost nitrification will cease and the pond pH will drop due to the nitrifying cultures activity. To increase alkalinity add pH buffer or AquaForte BioStabil until you achieve an alkalinity level of 50/ppm (3°dH) to 100/ppm (5,6°dH) (minimum), and then maintain the alkalinity at a level of at least 50/ppm (3°dH).

WINTERIZING YOUR FILTER

It is best for all biological filters to operate 24/7. If you live in an area where you experience hard freezing, you may decide to shut your filter down for the winter. Do the following:

1. Do a good backwash of the filter. Move the multiport valve to the "winter" position (between CLOSED and WASTE).
2. Turn off your pump and open the drain plugs on the pump strainer basket.
3. Open the waste valve at the base of the main filter and then the air release valve at the top of the filter. CAUTION! The UltraBead filters do not have a valve outlet with strainer which causes the beads to come out of the filter. Keep close attention when the beads start coming out of the filter and close it. Then open the valve a little bit so only water can come out and no beads.
4. Loosen all connections and drain exposed pipes, so that no water will be trapped. This is especially important for your UV lights!

In the spring:

1. Tighten all the connections that you loosened in the fall.
2. Move the multiport valve to the filter position and open the air release valve at the top of the filter and close the drain plug. Turn on the pump. When water comes out of the air release valve at the top of the filter, shut it and turn off the pump. Now do a good backwash and rinse before going to the filter mode. Back up to full capacity. During the first few weeks of operation in the spring, it is a good idea for the pond owner to do frequent checks of the ammonia and nitrite levels.

TROUBLE SHOOTING

Decrease in water flow

1. If you notice that your water flow is decreasing the most likely cause is that the filter needs to be backwashed. The bead filter is designed to trap solids and does it very well. When fully loaded with solids, the filter may restrict flow. Perform a backwash procedure (see page 7 & 8).
2. If after backwashing the filter the water flow is still low, next check the strainer basket on the pump. Be sure that it is clean.

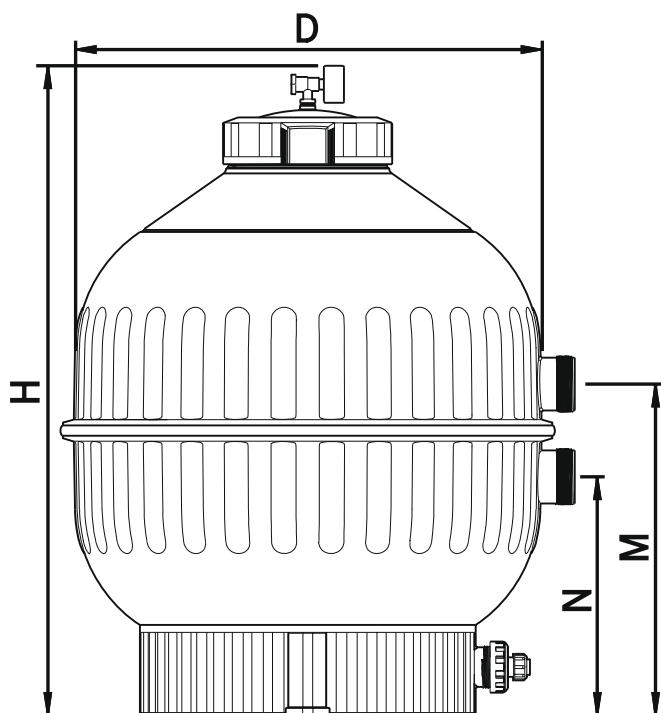
Decrease in water Clarity

1. If your filter has a mature bacterial colony, which could take up to 4-6 weeks at temps. above 16-18°C, and your water quality and clarity have been good then decreases, the first thing to do is a good backwash and rinse. Spend an extra amount of time with the blower agitation of the beads.
2. If your clarity does not improve or improves then decreases quickly, open the filter and inspect the internal condition of the laterals and the beads. If the beads are gelled and channelling is occurring, then the water will bypass most of the bead pack and no mechanical filtration will occur. Manually break up the beads and make sure the laterals are clear of obstruction.
3. If your water clarity does not improve, and you have UV-lights on the system, check to see if the bulbs are still working. Depending on the bulb, some UV-light bulbs will only have killing power for six months of continuous run. Others will last for a year or more. Check to see when they were last changed and replace if needed. They should be changed at least once a season.
4. If your clarity does not improve, check the water flow out of the system. The entire pond water volume should be turned over through the filter system at least 3-4 times per day. If turn over time is slow then the amount of solids that the filter can capture will decrease. Check to make sure that there are no flow restrictions. Follow the low flow trouble-shooting chart. Also make sure that your pump is large enough to move the amount of water needed for enough turn overs through the filter.
5. If after following the above suggestions and the clarity is still off, PLEASE call your dealer.

High Ammonia and Nitrite with previously stable state

If your pond has been up and running at warm temperatures (60-70 F) for six or more weeks and your ammonia and nitrite levels have been previously controlled, but you experience a spike in the ammonia level try the following:

1. Perform an extra long blower treatment on the bead pack and an extra long backwash. If the bead pack becomes totally clogged with solids, the available surface area for bioconversion drops significantly. Backwashing will open up the active surface area and bioconversion will resume.
2. If after backwashing the ammonia levels are still high, open the filter. Check the laterals to make sure they are clear, stir the beads to break up any gelled areas and then backwash.
3. If ammonia levels are still high, consider how much food is being fed to the fish. One cubic foot of mature beads can handle around one pound of 35% protein food per day. Check to see how many cubic feet of beads are in your filter and compare that with how much food your feeding.
4. If ammonia levels are still high, check the flow rate through the filter. The entire volume of the pond should be turned over through the filter AT LEAST 3-4 times per day. If the flow is down for some reason, bioconversion of ammonia will also slow. If you find the flow is in fact down, follow the troubleshooting flow chart for correcting low flows.
5. If all the above are found to be in good condition, consider the fish load on the pond. This actually also relates to the above discussion about amount of food fed. If you have a heavily stocked pond you will also be feeding more to the fish and thus adding more nitrogen to the pond water that will have to be bioconverted. Again, consider your filter size and what your asking it to do.
6. If the ammonia levels are still high, call your dealer.



	UB60	UB100	UB140
Ø D (mm)	600	750	900
H (mm)	875	1045	1215
M (mm)	445	575	675
N (mm)	320	345	405
Connections	Ø63mm	Ø63mm	Ø75mm
Max. Flow m ³ /h	18	24	30

TYPE	ARTNR.	MEDIA (BEADS)	MAX. BIOPOOL	MAX. POND SIZE	MAX. FISH LOAD
UB 60	SK403	120 ltr	80 m ³	40 m ³	100 kg
UB 100	SK405	170 ltr	120 m ³	60 m ³	135 kg
UB 140	SK407	255 ltr	200 m ³	100 m ³	200 kg

AquaForte UltraBead Beadfilters

Handleiding





BELANGRIJK Lees deze unstructies s.v.p. aandachtig door voordat u begint te installeren.

AquaForte introduceert de nieuwe UltraBead filters! Europa's populairste beadfilter wordt na meer dan 17 succesvolle jaren opgevolgd door een nieuwe generatie. De nieuwe UltraBead filters zijn vervaardigd uit onverwoestbaar thermoplastisch met 's werelds meest betrouwbare spuitgiet methode met aangegoten voet. Alle modellen zijn standaard voorzien van de geheel vernieuwde klep constructie met standaard by-pass! Dit garandeert een maximale flow met minimaal drukverlies. De UB140 is bovendien voorzien van Ø75mm leidingwerk voor nog minder weerstand.

Beadfilters zijn gesloten (druk)vaten gevuld met miljoenen plastic korreltjes (beads). Omdat deze korreltjes drijven zorgen ze voor de mechanische filtratie en vanwege hun grote aanhechtingsoppervlak ook als biologische filtratie.

Mechanische filtratie: de korrels drijven in een gesloten vat en zitten daardoor heel erg dicht op elkaar. Het water wordt er door de druk van de pomp doorheen geleid waardoor de vuildeeltjes in deze korrels blijven hangen. Naarmate het filter langere tijd wordt gebruikt wordt ook de biofilm om de korrels dikker waardoor er steeds fijner vuil kan worden opgevangen (tot 10 micron!).

Biologische filtratie: de plastic korrels hebben een aanhechtingsoppervlakte van zo'n 1600m²/m³. De biofilmlaag om de korrels biedt dus gigantisch veel oppervlakte voor de bacteriën voor het afbreken van ammonium, nitriet en nitraat.

De visbezetting in de tabel (op pagina 12) is gebaseerd op 1% voer per dag.

Aanbevolen pompcapaciteit: de pomp moet bij 2-3 meter waterkolom (0,2-0,3bar) in staat zijn om de helft van de werkelijke vijverinhoud per uur te verpompen (zie pompgrafiek van de betreffende pomp). Voor koivijvers van 40m³ en groter wordt een doorstroming van eens in de 3 à 4 uur gehanteerd. Filters worden geleverd incl. beads.

LET OP: maximale werkdruk 2,5 bar (25 meter).

Beadfilters zijn tevens het ideale filter voor zwembijvers! Zorgen voor perfect helder en gezond water!

VOOR MEER INFORMATIE: www.ultrabead.nl



UltraBead filters zijn voorzien van een 230VAC elektrische blower voor het reinigen van het filter. Lees s.v.p. aandachtig de veiligheids instructies voordat u deze blower gaat gebruiken:

VEILIGHEID:

- Steek de stekker van het apparaat altijd in een geschakelde contactdoos met sluitklep
- Werk altijd met een aardlekschakelaar (Max 30mA).
- Zorg er altijd voor dat het apparaat spanningsvrij is voordat u onderhouds- of reparatiewerkzaamheden aan het apparaat uitvoert. Nooit de stekker in/uit stopcontact steken/halen als u in een plas water staat of natte handen heeft.
- Dit apparaat is niet bedoeld voor gebruik door personen (inclusief kinderen) met verminderde lichamelijke, zintuiglijke of geestelijke vermogens, of gebrek aan ervaring en kennis, tenzij zij onder toezicht staan of worden geïnstrueerd over het gebruik van het apparaat door een persoon die verantwoordelijk is voor hun veiligheid.
- De kabel van dit apparaat is niet vervangbaar. In geval van beschadiging van de stroomkabel moet het complete apparaat vernieuwd worden. Een apparaat met afgeknipte stekker valt niet onder garantie.
- Het apparaat nooit onder water dompelen.
- Houdt kinderen uit de buurt van dit apparaat en de kabel.
- Dit product is uitsluitend te gebruiken volgens de richtlijnen zoals beschreven in deze handleiding.

INSTALLATIE INSTRUCTIES

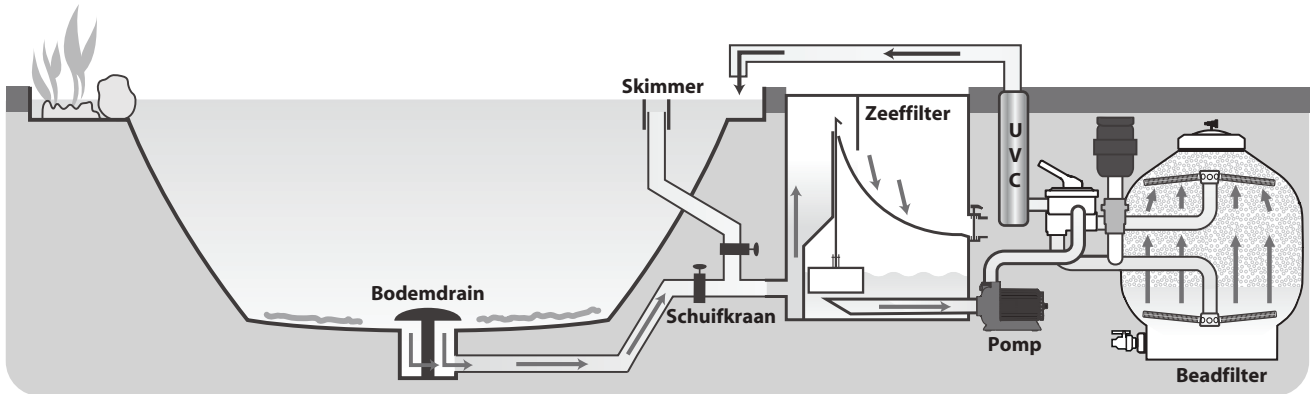


Voorfilters: omdat het in- en uitlaatsysteem van een beadfilter een kleine doorlaat van $\pm 1,5\text{mm}$ heeft kan een beadfilter niet rechtstreeks op de bodemafvoer of vijverpomp worden aangesloten vanwege de kans op verstopping door draadalgen, (afgestorven) bladeren en ander grof mechanisch vuil. Gebruik in deze situaties dan ook altijd een voorfilter om dit vuil op te vangen!

Hieronder geven we een aantal voorbeelden van mogelijke voorfilter opties:

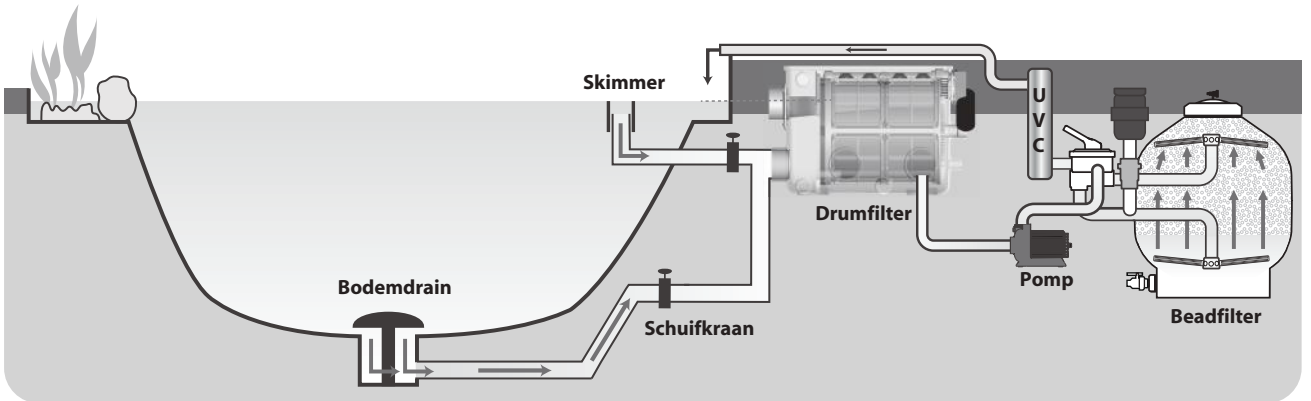
ZWAARTEKRACHT GEVOED ZEEF FILTER SYSTEEM

Het water gaat in zwaartekracht via een bodemdrain en skimmer naar het zeeffilter. Vanuit de zeefbocht wordt het water door het beadfilter gepompt en gaat het via een UV lamp weer terug naar de vijver.



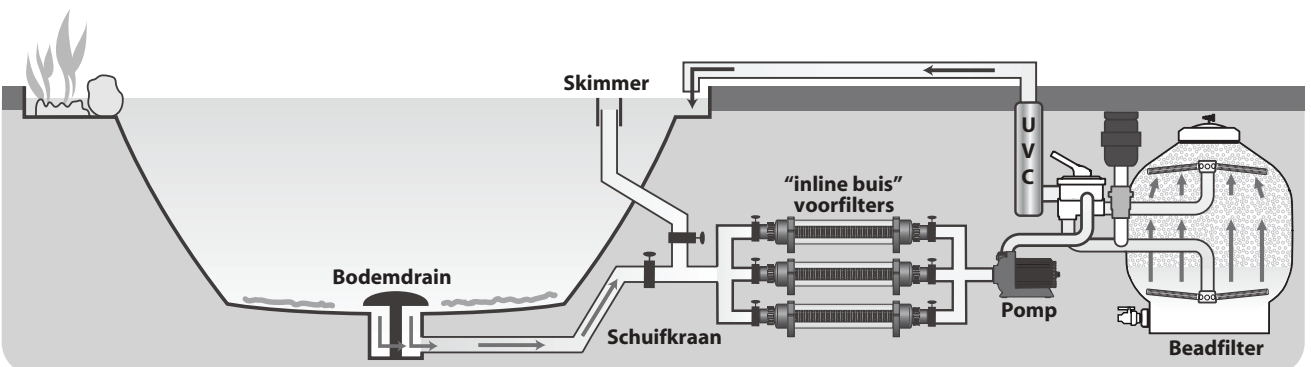
ZWAARTEKRACHT DRUMFILTERSYSTEEM

Het water gaat in zwaartekracht via een bodemdrain en skimmer door het drumfilter. Vanuit het drumfilter wordt het water door het beadfilter gepompt en gaat het via een UV lamp weer terug naar de vijver.



INLINE BUIS VOOR-FILTER SYSTEEM

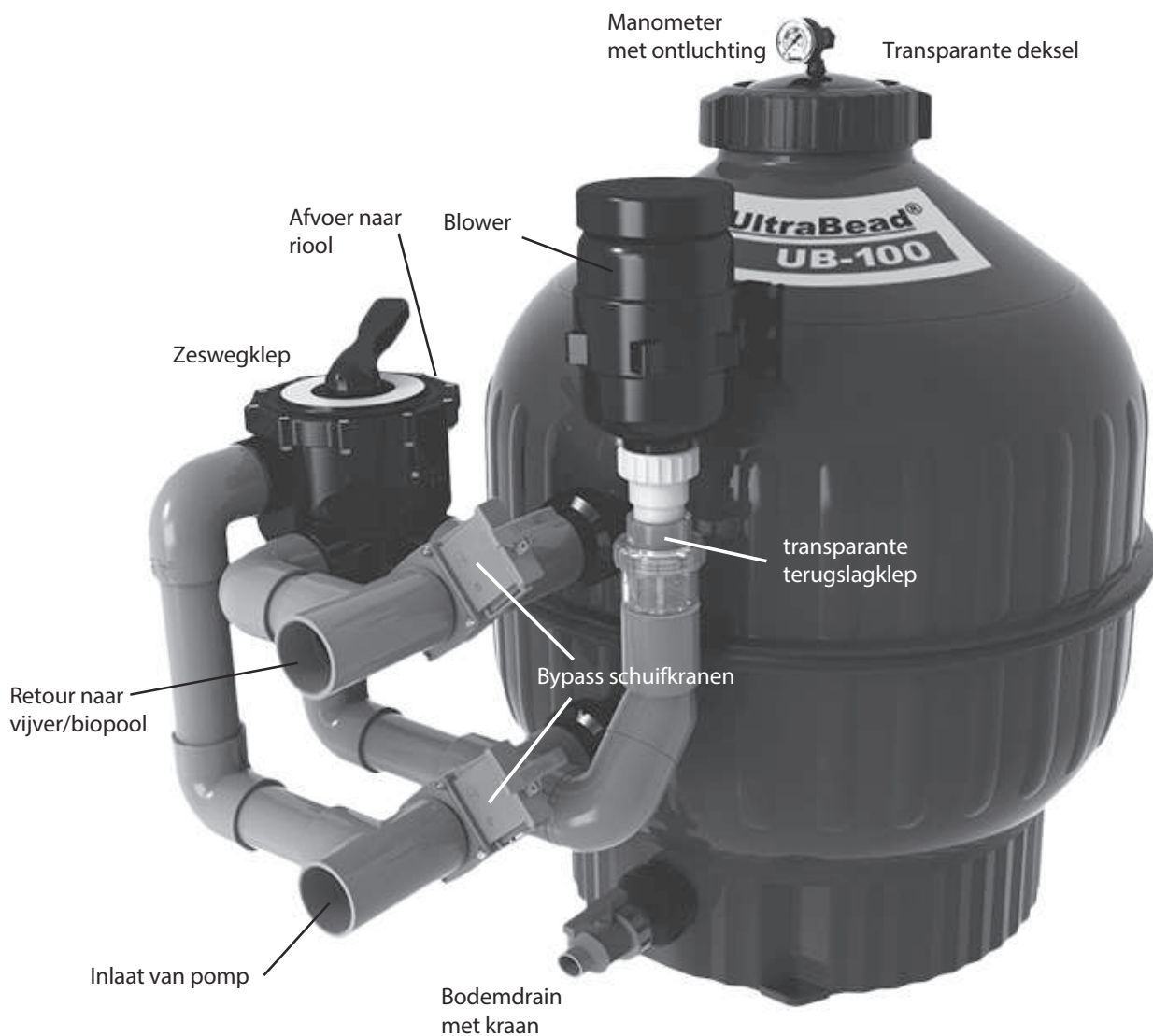
Wanneer de technische ruimte beneden de waterspiegel ligt kunnen we het AquaForte inline buis voorfilter systeem (RD430) gebruiken als een alternatief voorfilter. De rest van het systeem kan hetzelfde zijn als de hierboven beschreven voorbeelden. Wanneer u er 2 of 3 in parallel monteert kunnen ze één voor één gereinigd worden zonder de pomp te stoppen.



LEER UW AQUAFORTE ULTRABEAD FILTER KENNEN.

We stellen voor dat u deze foto even aandachtig bekijkt om wat bekend te geraken met uw UltraBead® filter.

NL



INSTALLATIE INSTRUCTIES

Het filter bij voorkeur zo dicht mogelijk bij de vijver/biopool installeren om leidingweerstand te voorkomen. Zorg dat er een afvoer aanwezig is in de technische ruimte waar het filter wordt geïnstalleerd.



ATTENTIE

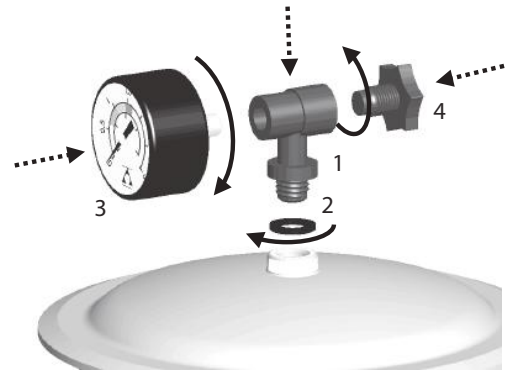
Indien het filter binnen wordt gemonteerd zal er een juiste afmeting afvoer moeten worden gemaakt om zoveel mogelijk water af te kunnen voeren van de vijver/biopool, om de risico's op overstroming te voorkomen. Indien dit niet wordt gedaan kan de fabrikant van het filter niet verantwoordelijk worden gehouden voor mogelijke schade aan derden dat door het filter wordt veroorzaakt.

BELANGRIJK: Laat altijd voldoende ruimte over rondom het filter om de nodige inspecties en onderhoud uit te kunnen voeren.

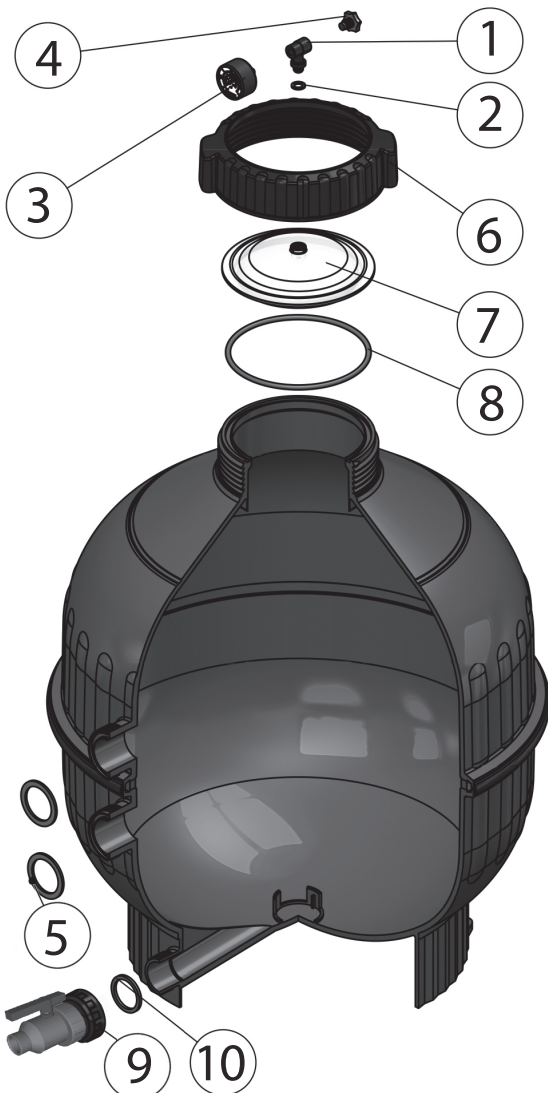
MONTAGE (1)

Volg deze aanwijzingen voor een correcte montage van het filter:

1. Plaats het filter op een horizontale en schone oppervlakte.
2. Plaats het filter op zijn definitieve locatie.
3. Installeer de zeswegklep met bypass op het filter. Zorg dat de O-ringen (5) tussen de klep en het filter correct geplaatst zijn.
4. Maak de 3 verbindingen: leidingwerk pomp naar "inlaat van pomp", "afvoer naar riool" (Ø63mm) naar de afvoerleiding en "retour naar vijver/biopool" terug naar de vijver/biopool.
5. Monteer het manometer T-stuk (1), de rubber ring (2), de manometer (3) en de ontluiftingskraan (4). Het is niet nodig om teflon tape te gebruiken omdat de O-ring voldoende afdicht. Gebruik geen gereedschap het manometer T-stuk te monteren, handvast is voldoende.



Montage van de manometer (met ontluifing)



MONTAGE (2)

Installeer de bodemdren afvoerkraan (9) met de rubber ring (10) op draadaansluiting van de bodemafvoer (handvast, geen gereedschap). U kunt de blauwe hendel van de kogelkraan naar de bovenzijde positioneren door de grijze wartel wat los te draaien en daarna de kraan te draaien. Draai de wartel daarna weer handvast aan. Zorg dat de kraan dicht is voordat u het filter gaat vullen!

VULLEN MET BEADS

Wanneer het filter op de juiste positie staat en alle buisverbindingen gemaakt zijn kunt u het filter vullen met beads.

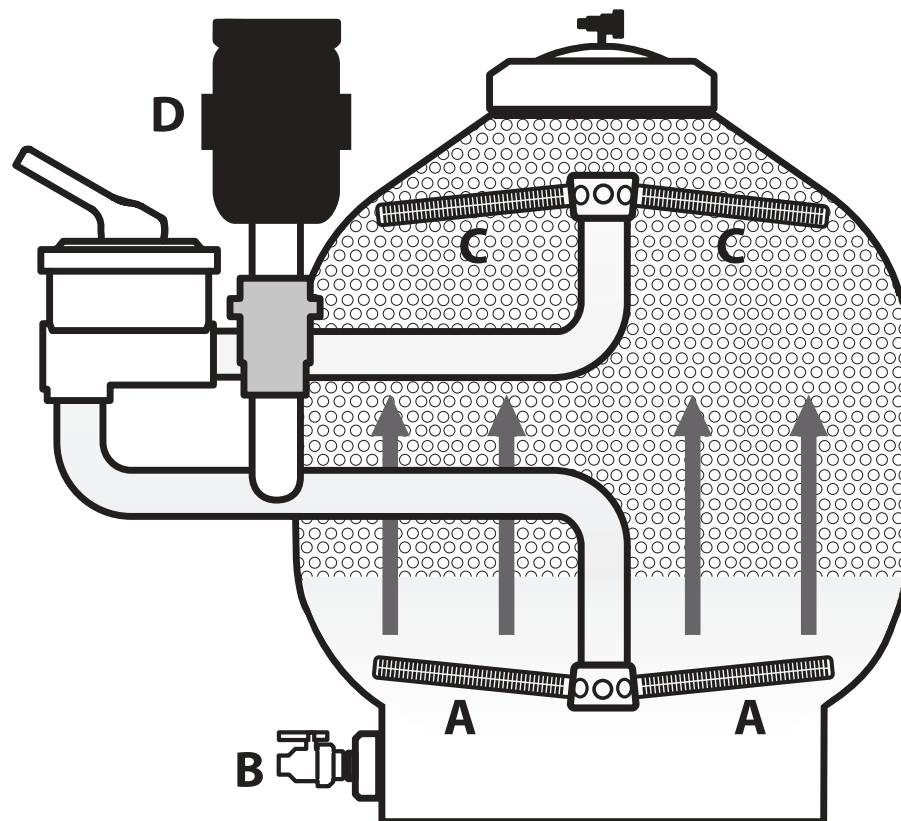
1. Draai de zwarte wartel (6) los en verwijder deze van het filter.
2. Verwijder het transparante deksel (7) en de O-ring (8).
3. Controleer of alle filterbuisjes in goede staat zijn.
4. Vul het filter voor de helft met water.
5. Giet de beads langzaam en voorzichtig in het filter.
6. Maak de rand van het filter goed schoon.
7. Plaats de O-ring (8) en de transparante deksel (7).
8. Draai de zwarte wartel (6) weer vast.

Attentie: controleer in bedrijf of er geen water lekt bij de deksel.

Opmerking: de fabrikant kan niet aansprakelijk worden gesteld voor schade aan het filter die tijdens het vullen wordt veroorzaakt.

NL

BEADFILTER WERKING



Het water komt onder druk van de pomp binnen bij "A". De vaste bestanddeeltjes verzamelen zich in het midden van het filter en wachten tot ze worden afgevoerd onder druk van de pomp. Het enige wat u moet doen is om de paar weken de vuilafvoerkraan (B) even open te zetten terwijl de pomp draait met het filter in de normale "FILTER" stand en de zwaardere vuildeeltjes worden in een paar seconden verwijderd. Wat betekent dit nu in de praktijk? Het meest unieke en efficiënte filter in zijn soort. Een efficiënt filter houdt geen vuil vast, het verwijdert vuil!

Tot zover de grove mechanische filterwerking, maar het mooiste komt nog: de fijne mechanische en biologische filtratie! De grote winst van dit systeem zit hem in het filtermedium: de beads. Deze kleine kraaltjes met een diameter van 3-4 millimeter staan garant voor een gigantisch hoog aanhechtingsoppervlak van $\pm 1600 \text{ m}^2 / \text{m}^3$. Deze kraaltjes drijven in het filter en worden door een speciale buis met sleufjes (C) tegengehouden zodat ze niet uit het filter kunnen. Het vijverwater komt onder bij A binnen en moet dus langs de beads omhoog om weer uit het filter te kunnen. Wanneer het water van A naar C stroomt wordt het grote aanhechtingsoppervlak volledig benut door de nitrificerende bacteriën die zich op de beads nestelen en wordt het water optimaal gereinigd. De kleine zwevende vuildeeltjes worden op deze manier ook opgevangen door de zevende werking van de drijvende beads. Het water gaat uiteindelijk door de buis met sleufjes (C) naar buiten en komt zo via de by-pass klep weer terug in de vijver.

De UltraBead[®] serie is voorzien van een unieke toepassing: de Blower (D). Deze blower (voorzien van een speciale terugslagklep die voorkomt dat er water naar de blower stroomt) blaast tijdens de backwash procedure een gigantische hoeveelheid lucht in het filter en omdat lucht opstijgt in water worden de beads flink losgeslagen en losgespoeld. Hierbij wordt het vuil van en tussen de beads verwijderd om met water te worden afgevoerd in de backwash procedure. De biofilmlaag voor de nitrificerende bacteriën blijft echter wel behouden. Als deze laag te dik wordt zal deze worden losgespoeld en weer plaats maken voor een nieuwe filmlaag. De lucht verlaat het filter door de bovenste buis met sleufjes (C) en gaat via de "RINSE" stand van de 6-wegklep naar de afvoer.

U vindt de volledige backwash details op pagina 7 & 8.

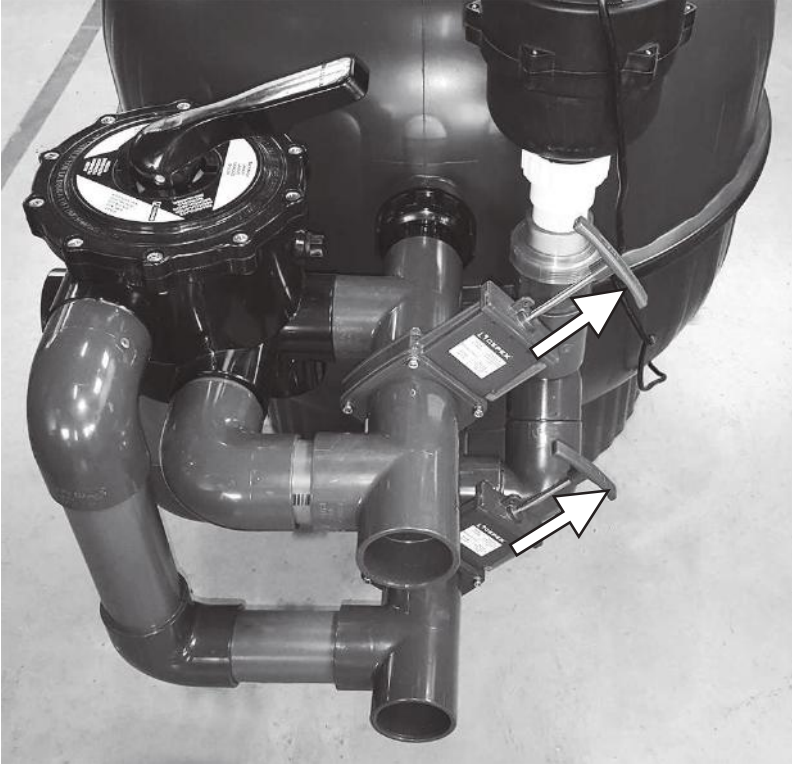
SPOELFREQUENTIE

Voor vijvers met vissen (koi) wordt het aanbevolen gedurende het voederseizoen 1 tot 2 keer per week te spoelen.

Voor zwembijvers is eens per week of eens per 2 weken spoelen voldoende gedurende het zwemseizoen.

DE BY-PASS GEBRUIKEN

UltraBead filters worden inclusief klepsysteem met by-pass geleverd om kostbare stroomconsumptie te besparen. Deze by-pass zorgt ervoor dat de 6-wegklep tijdens het FILTEREN niet wordt gebruikt. Dit kan 30-40% energie besparen (afhankelijk van drukverlies en type pomp).

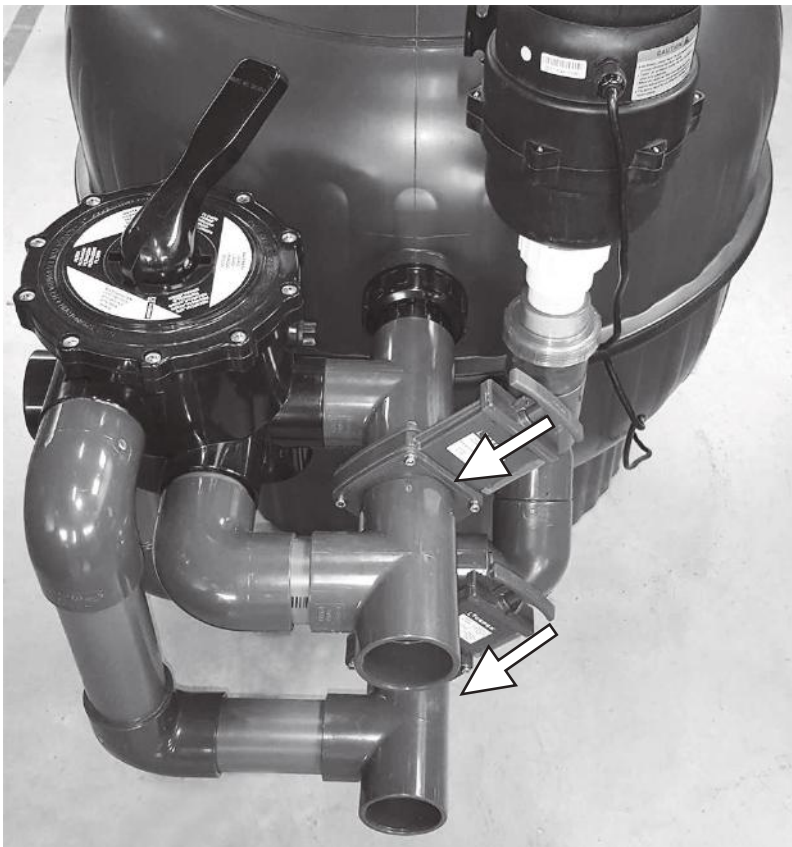


FILTRATIE

Tijdens **FILTRATIE** staan de 2 schuifkranen in de volledig open positie en staat de 6-wegklep in de **FILTER** positie (zie foto).

TN

SPOEL PROCEDURE

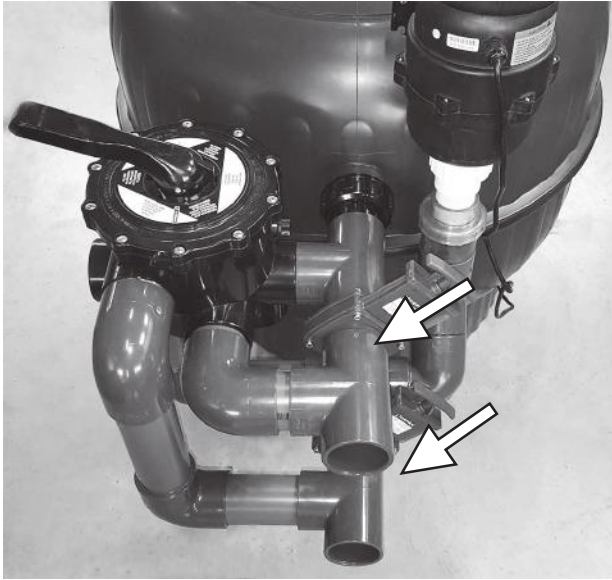


1. RINSE MET LUCHT

1. Stop de pomp en sluit de twee schuifkranen.
2. Zet de 6-wegklep op de **RINSE** positie (zie foto).
3. Zet de blower aan om de vuildeeltjes te scheiden van de beads. U kunt de blower 2-3 minuten laten lopen.
4. Stop de blower en start de pomp om het filter weer met water te vullen. Wanneer het water weer tot het deksel komt kunt u de pomp stoppen.

OPMERKING: om water te besparen tijdens het spoelen kunt u stap 3 en 4 herhalen door een extra spoeling met lucht te doen.

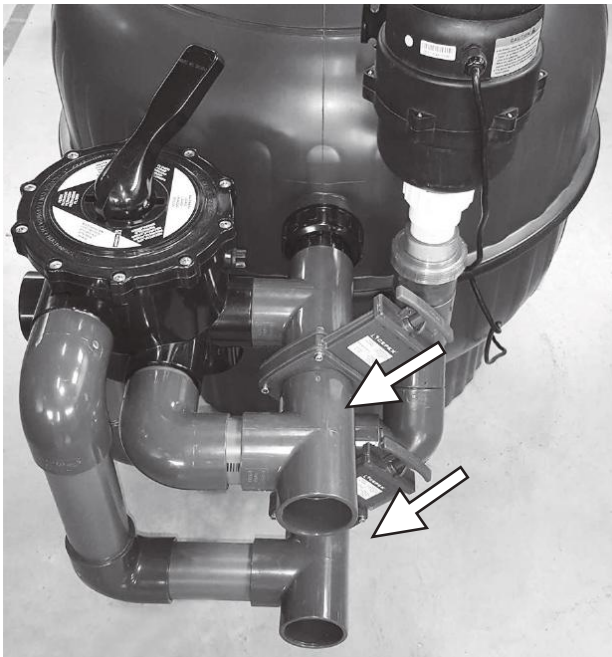
SPOEL PROCEDURE (vervolg)



2. BACKWASH MET WATER

1. Zet de 6-wegklep op de **BACKWASH** positie (zie foto).
2. Start de pomp om de vuildeeltjes uit het filter te spoelen met water. Kijk in het zichtglas op de 6-wegklep om te zien of het uitgaande water nog vies is.
3. Wanneer het water in het zichtglas helder is kunt u de pomp stoppen. Dit duurt gemiddeld 1 tot 2 minuten.

OPMERKING: wanneer u een pomp met variabele snelheid gebruikt kunt u de snelheid verhogen voor een extra efficiënte backwash.



3. RINSE MET WATER

1. Zet de 6-wegklep op de **RINSE** positie (zie foto).
2. Start de pomp om de laatste vuildeeltjes uit het filter te spoelen met water. Kijk in het zichtglas op de 6-wegklep om te zien of het uitgaande water nog vies is.
3. Wanneer het water in het zichtglas helder is kunt u de pomp stoppen. Dit duurt gemiddeld 30 - 60 seconden.



4. Stop de pomp en zet de 6-wegklep op de **FILTER** positie. Zet de schuifkranen weer in de volledig open positie (zie foto).
5. Start de pomp. Het filter staat nu weer in **FILTRATIE** stand.

DE FUNCTIES VAN DE 6-WEGKLEP

"FILTER": het water komt het onder in het beadfilter binnen en gaat van onder naar boven door de beads en verlaat het filter via de buizen met sleufjes bovenin om weer naar de vijver terug te gaan.



"RECIRCULATE": het filter wordt overgeslagen en het water van de vijver gaat van de pomp via de 6-wegklep weer terug naar de vijver voor het geval u het water met bepaalde producten wilt behandelen die niet in het filter mogen komen.



"WASTE": het water gaat niet door het filter maar direct naar de afvoer. U kunt de "WASTE" stand gebruiken om het water uit de vijver weg te pompen zonder het vuil door het filter te laten gaan.



"RINSE": spoelen van het filter. Hierbij wordt er de eerste keer bij het spoelen gebruik gemaakt van de Blower om de beads te spoelen. Na de Backwash handeling wordt er nog een keer in de RINSE stand met water gespoeld om het vuil dat bovenin het filter zit weg te spoelen.



"BACKWASH": terugspoelen. In deze stand laat men de pomp lopen totdat het water in het zichtglas helder wordt (normaal gesproken 1 tot 2 minuten). Het water komt boven binnen en verlaat het filter via de eigenlijke inlaat naar de afvoer.



"CLOSED": spoelklep gesloten. Deze stand mag nooit worden gebruikt wanneer de pomp draait.



RIJPINGSPROCES VAN HET FILTER.

Het duurt ongeveer 4 tot 6 weken bij een temperatuur van 15-18°C voordat de bacteriekolonie groot genoeg is om ammonia en nitriet af te breken en er voldoende biofilm om de beads zit voor de fijne mechanische werking. Tijdens deze periode moet u de ammonia en nitriet waarden nauwlettend controleren. Wanneer deze te hoog worden moeten er maatregelen worden getroffen zoals het verversen van water. Tijdens de opstartperiode is ook de fijne mechanische filtering nog niet helemaal effectief waardoor uw water misschien nog niet zo "gepolijst" is als u zou willen. Deze verschijnselen zullen geleidelijk verbeteren door de groei van de biofilm en de bacteriekolonie. Dit geldt voor beadfilters in het algemeen. Om het opstarten te helpen kunt u gebruik maken van bacterie culturen zoals Microbe-Lift Super Start, Nite Out II of Microbe-Lift Gel die u bij uw dealer kunt verkrijgen.

UV-C units

Beadfilters kunnen vuildeeltjes opvangen tot een grootte van 5-10 micron. Sommige algen zijn kleiner dan 5 micron en worden dus niet door de beads gefilterd. Deze kleine algencellen zorgen ervoor dat het water er groen uitziet en niet helemaal helder is. Om dit te verhelpen is het gebruik van een UVC unit vereist.

OPMERKING Wanneer u uw filter 2 of meer weken niet heeft gespoeld is het een goed idee om de blower extra lang te gebruiken. De blower is voorzien van een thermische beveiliging.

WAARSCHUWING Wanneer u uw filter langere tijd niet spoelt en u woont in een gebied met relatief zacht water is het aan te bevelen om uw vijverwater te behandelen. De bacteriën in het filter kunnen zoveel calciumcarbonaat (KH) verbruiken dat de pH waarde hierdoor gevaarlijk laag kan worden. De KH waarde werkt als een soort buffer voor de pH waarde. De KH waarde moet tenminste 3°dH zijn, maar liefst 6°dH of hoger. Er zijn producten in de handel die uw KH kunnen verhogen. Vraag hiernaar bij uw dealer.

Toelichting op het gebruik van Nite Out II en het opstarten van het nitrificatie proces:

Het is aan te bevelen om voor het gebruik van Nite Out II eerst Microbe-Lift Clean & Clear te gebruiken om het overige organisch afval af te breken omdat hoge concentraties van dit organisch afval het nitrificatie proces kan beperken of zelfs volledig kan tegenhouden. Wacht 1 tot 2 dagen om Clean & Clear zijn werk te laten doen en gebruik dan Nite Out II. Verder is het van groot belang dat u eerst de pH test (deze moet tussen 7,5 en 8,7 zijn) en of er voldoende alkaliniteit aanwezig is (tijdelijke hardheid of KH). De KH waarde moet altijd tenminste 3°dH zijn. Dit is van groot belang omdat de nitrificerende bacteriën dit als brandstof verbruiken. Voor 1 deel ammonia worden 7 delen alkaliniteit verbruikt! Zonder een goede KH waarde is er dus geen nitrificatie mogelijk! Om de KH waarde te verhogen kunt u bijvoorbeeld AquaForte BioStabil gebruiken totdat u een waarde van 3°dH tot 6°dH heeft bereikt.

UW FILTER WINTERKLAAR MAKEN

Het is beter om biologische filters ook in de winter te laten draaien.

Wanneer u uw filter niet wilt gebruiken in de winter gaat u als volgt te werk:

1. Voer een uitgebreide spoelprocedure uit. Zet de 6-weg klep op de "winter" positie. De winter positie is de stand tussen de CLOSED en WASTE positie waardoor er geen water in de klep kan achterblijven.
2. Zet de pomp uit en draai de leegloopventiel(en) uit het pomphuis wanneer u een zwembadpomp gebruikt.
3. Zet de bodemafvoer kraan open van het Beadfilter en daarna ook het ontluichtingskraantje in de deksel. Het water zal uit het filter lopen. LET OP! De UltraBead filters hebben geen korfje voor het kraantje waardoor de beads er wel uit kunnen komen. Let hier dus goed op wanneer er beads uit het filter komen. Draai daarna de kraan een klein beetje open zodat er alleen water uit kan lopen en geen beads.
4. Maak alle verbindingen los en zorg ervoor dat alle bovengrondse leidingen droog staan i.v.m. het kapot vriezen van leidingen. Dit is vooral ook erg belangrijk voor uw UVC units!

In het voorjaar:

1. Breng alle verbindingen weer tot stand die u voorheen heeft losgemaakt.
2. Zet de 6-weg klep op de FILTER positie, draai de bodemafvoer kraan dicht en zet het ontluichtingskraantje in de deksel open. Zet de pomp aan. Wanneer er water uit het ontluichtingskraantje komt zet u deze dicht en zet u de pomp uit. Voer nu een uitgebreide spoelprocedure uit. Tijdens de eerste weken na het in werking stellen van het filter is het raadzaam om de ammonia en nitriet waarden goed te controleren.

PROBLEMEN OPLOSSEN

Vermindering in doorstroming van het water

1. Wanneer u merkt dat er minder water door uw systeem gaat is de meest voor de hand liggende verklaring dat het filter gespoeld moet worden. Het Beadfilter is ontworpen om vuil op te vangen en doet dat ook erg goed. Wanneer de beads vol met vuil zitten kan dit leiden tot vermindering in doorstroming. Voer daarom een uitgebreide spoelprocedure uit.
2. Als de doorstroming na het spoelen nog steeds te laag is controleert u of het mandje van de pomp vervuild is of het voorfilter van een onderwaterpomp, afhankelijk van het type pomp dat u gebruikt.

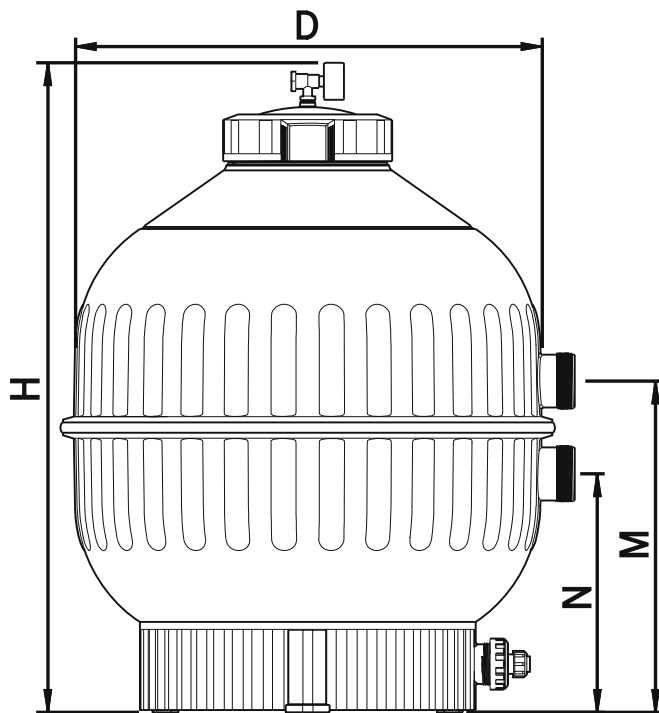
Vermindering in helderheid van het water

1. Wanneer uw filter gerijpt is, wat 4-6 weken kan duren bij een temperatuur van 15-22°C, en uw water kwaliteit en helderheid waren voorheen goed en worden nu minder voert u eerst een uitgebreide spoelprocedure uit. Laat vooral de blower wat langer lopen dan normaal.
2. Als de helderheid niet verbetert of maar kortstondig verbetert opent u het filter en controleert u de beads en het leidingsysteem. Wanneer de beads zijn samengeklonterd en er kanalisering is ontstaan zal het water niet door een laag van beads gaan maar door de smalle kanaaltjes waardoor er geen mechanische filtering plaatsvindt. Maak de beads handmatig los en controleer de sleufjes van het leidingsysteem op vervuiling.
3. Wanneer uw water kwaliteit niet verbetert en u heeft UVC units op uw systeem controleer dan of de UV lampen nog werken en of ze nog voldoende kracht hebben om te werken. Afhankelijk van het merk kunnen sommige UV lampen hun kracht na 6 maanden van continu gebruik verliezen. Sommige merken werken een jaar. Controleer wanneer de lampen voor het laatst zijn vervangen en vervang ze indien nodig. De lampen moeten tenminste eens per seizoen worden vervangen.
4. Als de waterkwaliteit niet verbetert controleert u de doorstroming van uw systeem. De gehele vijverinhoud moet tenminste 3 tot 4 keer per dag door het filtersysteem gaan. Wanneer de vijverinhoud niet vaak genoeg door het filtersysteem gaat zal de hoeveelheid vuil dat door het filter wordt opgevangen afnemen. Controleer of er geen problemen zijn met de doorstroming zoals hiervoor al is beschreven. Verzeker uzelf er ook van dat de pomp krachtig genoeg is voor uw vijverinhoud.
5. Wanneer de helderheid nog steeds niet goed is na deze handelingen kunt u contact opnemen met uw dealer.

Hoge Ammonia en Nitriet waarden die voorheen stabiel waren

Wanneer de temperatuur van het vijverwater al 6 weken of langer rond de 20°C is en uw ammonia nitriet waarden voorheen stabiel waren maar u meet nu een ammonia piek kunt u het volgende proberen:

1. Voer een extra lange spoelprocedure uit en laat vooral de blower wat langer lopen dan normaal. Wanneer de beads helemaal vol met vuil komen te zitten wordt de beschikbare ruimte voor de omzetting ammonia aanzienlijk minder. Het spoelen zal de actieve oppervlakte vrijmaken en de bioconversie kan worden hervat.
2. Wanneer de ammonia waarden nog steeds hoog blijven na het spoelen opent u het filter en controleert het leidingsysteem op vervuiling en of de beads niet teveel zijn samengeklonterd. Maak de eventuele samengeklonterde beads handmatig los en voer een spoelprocedure uit.
3. Wanneer de ammonia waarden nog steeds hoog zijn ga dan na hoeveel voer u dagelijks gebruikt. 100 liter gerijpte beads kunnen ongeveer 700 gram voer afbreken met een eiwitgehalte van 35%. Controleer hoeveel liter beads er in uw filter zit en vergelijk dat met de hoeveelheid voer die u dagelijks geeft.
4. Wanneer de ammonia waarden nog steeds hoog zijn controleert u de doorstroming van het filter. De gehele vijverinhoud moet tenminste 3 tot 4 keer per dag door het filtersysteem gaan. Wanneer de doorstroming te laag is zal de afbraak van ammonia ook laag zijn. Wanneer de doorstroming te laag is kijkt u bij de hierboven beschreven oplossingen voor een te lage doorstroming.
5. Als de bovenstaande situaties in orde zijn bekijkt u de visbezetting van uw vijver. Dit is vanzelfsprekend ook verbonden aan de hoeveelheid voer die er dagelijks wordt gegeven. Wanneer er een overbezetting aan vis is wordt er ook te veel voer in de vijver gegooid wat weer leidt tot hoge ammonia waarden. Bekijk de capaciteit van uw filter en wat u er van verwacht.
6. Wanneer de ammonia waarden nog steeds hoog zijn kunt u contact opnemen met uw dealer.

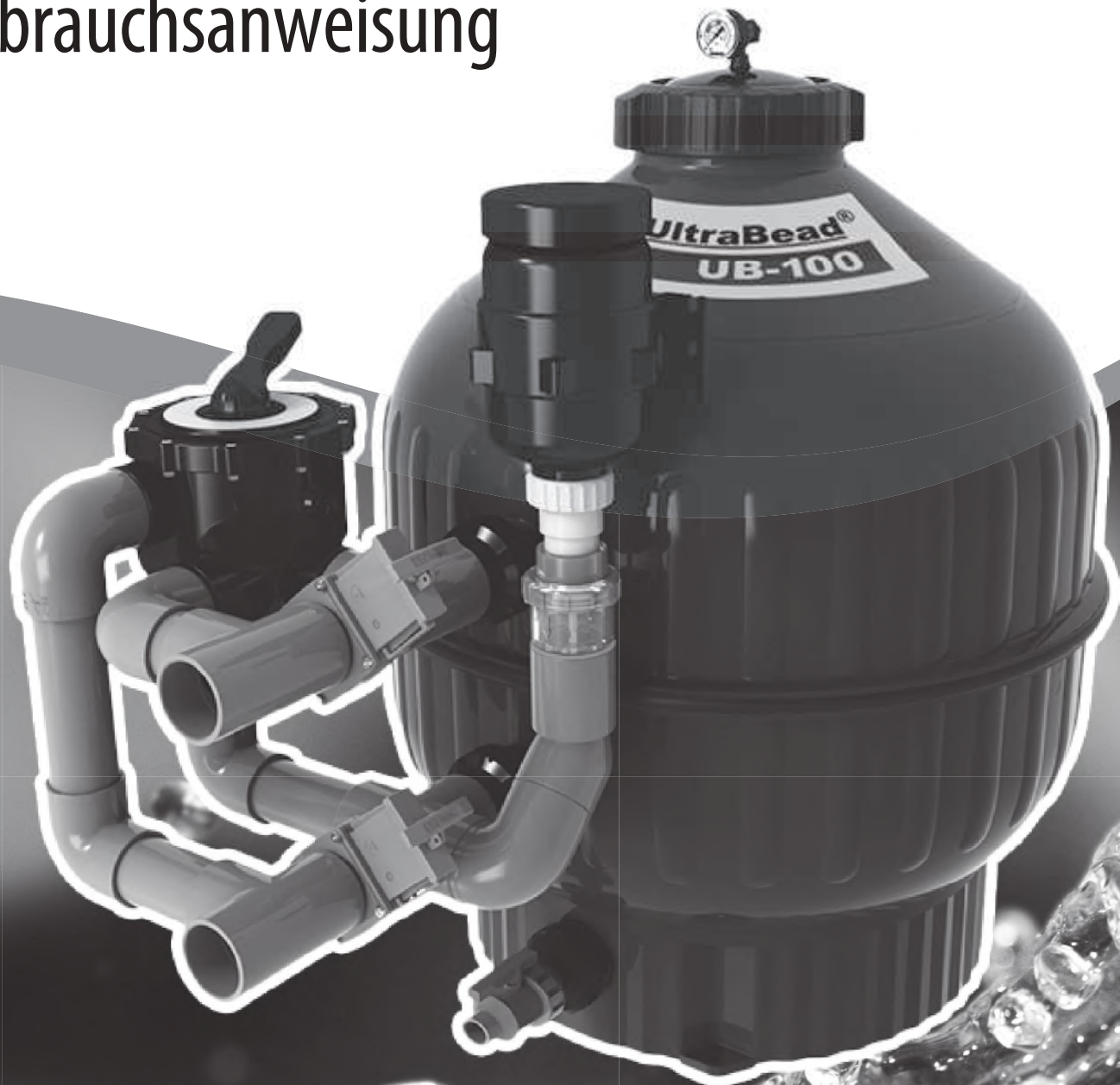


	UB60	UB100	UB140
Ø D (mm)	600	750	900
H (mm)	875	1045	1215
M (mm)	445	575	675
N (mm)	320	345	405
Aansluitingen	Ø63mm	Ø63mm	Ø75mm
Max. Flow m ³ /h	18	24	30

TYPE	ART. NR.	MEDIA (BEADS)	MAX. ZWEM-VIJVER	MAX. VIJVER	MAX. VIS BEZETTING
UB 60	SK403	120 ltr	80 m ³	40 m ³	100 kg
UB 100	SK405	170 ltr	120 m ³	60 m ³	135 kg
UB 140	SK407	255 ltr	200 m ³	100 m ³	200 kg

AquaForte UltraBead Beadfilter

Gebrauchsanweisung





WICHTIG

Das Handbuch mit den Betriebsanleitungen, das Sie in Händen halten, enthält wichtige Information über die anzuwendenden Sicherheitsmaßnahmen für die Installation und Inbetriebnahme. Es ist daher unerlässlich, daß die Anweisungen vom Installateur und vom Benutzer vor der Montage und Inbetriebnahme aufmerksam durchgelesen werden. Bewahren Sie dieses Handbuch auf, falls Sie zu einem späteren Zeitpunkt Informationen über die Funktion dieses Apparates nachschlagen möchten.

AquaForte stellt den neuen UltraBead Filter vor! Nach mehr als 17 erfolgreichen Jahren folgt auf Europas beliebtesten Beadfilter nun eine neue Generation. Die neuen UltraBead Filter bestehen aus unverwüchtlichem Thermoplast, hergestellt durch die weltweit zuverlässigste Spritzgussmethode mit Gussfuß. Alle Modelle sind standartmäßig mit einem komplett neuen Mehrwegeventil und einem Standard Bypass ausgestattet. Dies garantiert einen maximalen Durchfluss bei minimalem Druckverlust. Der UB140 ist außerdem mit Ø75 mm Rohrleitung für weniger Widerstand ausgestattet.

Beadfilter sind geschlossene (Druck-) Filter aufgefüllt mit ein paar Millionen Plastik Kugeln (Beads). Weil diese Kugeln schwimmen, sorgen sie für mechanische Filterung und zugleich, wegen ihre hohe Oberfläche, für biologische Filterung.

Mechanische Filterung: Die Filterkugeln schwimmen in ein dichtes Fass ganz eng aneinander. Das Wasser wird durch die Pumpe durch den Beads gedrückt und die Schmutzpartikel bleiben zwischen den Beads hängen. Wenn der Filter länger im Gebrauch ist wird auch der Biofilm um den Beads dicker wodurch auch ganz feine Schmutzpartikel festgehalten werden (bis 10 Mikron!).

Biologische Filterung: Die Beads haben eine Oberfläche von 1600 m²/m³. Der Biofilm um den Beads bietet also gigantisch viel Platz an den Bakterien für den Abbau von Ammonium, Nitrit und Nitrat.

Der Fischbesatz in der Tabelle auf Seite 12 basiert auf 1% Futter pro Tag.

Empfohlene Pumpenkapazität: die Pumpe muss bei 2-3m Wasser-säule (0,2-0,3 Bar) in der Lage sein, die Hälfte des tatsächlichen Teichinhalts pro Stunde umzuwälzen. Für Koiteiche ab 40m³ reicht einen Durchfluss von einmal in 3-4 Stunden.

Die Filter werden inkl. der notwendigen Beads geliefert.

ACHTUNG: Max. Betriebsdruck: 2,5 Bar (25 m).

Beadfilter sind auch der ideale Filter für Schwimmteiche! Sorgen für perfektes klares und gesundes Wasser!

Für weitere technische Daten siehe: www.ultrabead.com



UltraBead filter sind mit einem 230VAC elektrischen Blower versehen zum Spülen des Filters. Lesen Sie diese Sicherheitshinweisen vor dem Installieren des Geräts sorgfältig durch:

SICHERHEIT:

- Den Gerätestecker immer in eine geschaltete Steckdose mit Schutzdeckel stecken.
- Grundsätzlich einen Erdschlussschalter verwenden (max. 30 mA).
- Grundsätzlich dafür sorgen, dass das Gerät spannungsfrei ist, bevor Sie Wartungs- oder Reparaturarbeiten daran vornehmen. Den Stecker nie in die Steckdose stecken bzw. herausziehen, wenn Sie in einer Pfütze stehen oder nasse Hände haben.
- Dieses Gerät darf nicht von Personen (einschließlich Kindern) benutzt werden, die körperlich, geistig oder in ihrer Sinneswahrnehmung eingeschränkt sind oder denen es an Wissen und Erfahrung fehlt, es sei denn, sie stehen unter Aufsicht oder werden von einer für ihre Sicherheit verantwortlichen Person angeleitet.
- Das Kabel dieses Geräts kann nicht ausgewechselt werden. Wenn das Stromkabel beschädigt ist, muss das ganze Gerät ausgetauscht werden. Wenn der Stecker vom Gerät abgeschnitten wurde, erlischt die Garantie.
- Das Gerät auf keinen Fall unter Wasser tauchen.
- Kinder von Gerät und Kabel fernhalten.
- Dieses Produkt darf nur den in dieser Gebrauchsanweisung beschriebenen Richtlinien entsprechend eingesetzt werden.

INSTALLATIONSHINWEISE

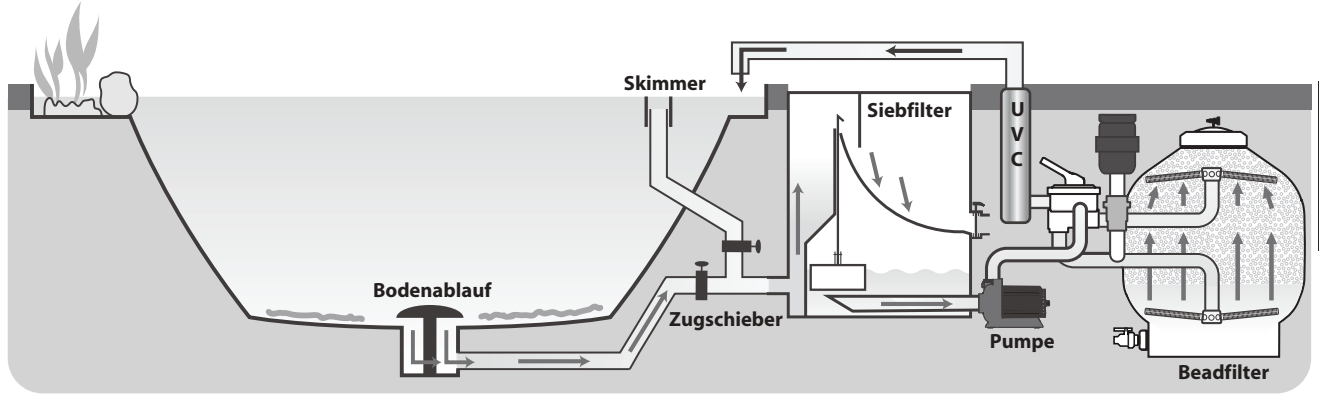


Vorfilter: Weil die Schlitze im Ein- und Auslaufsystem einen schmalen Durchlass haben, sodass die Beads nicht aus dem Filter gelangen, kann der Ultrabead Filter nicht direkt am Bodenablauf oder Pumpe montiert werden weil sonst die groben Schmutzpartikel das Schlitzrohr verstopfen. Benutzen Sie in jedem Fall einen Vorfilter für den groben Schmutz

Als Vorfilter hat man mehrere Möglichkeiten:

SCHWERKRAFT SIEBFILTER SYSTEM

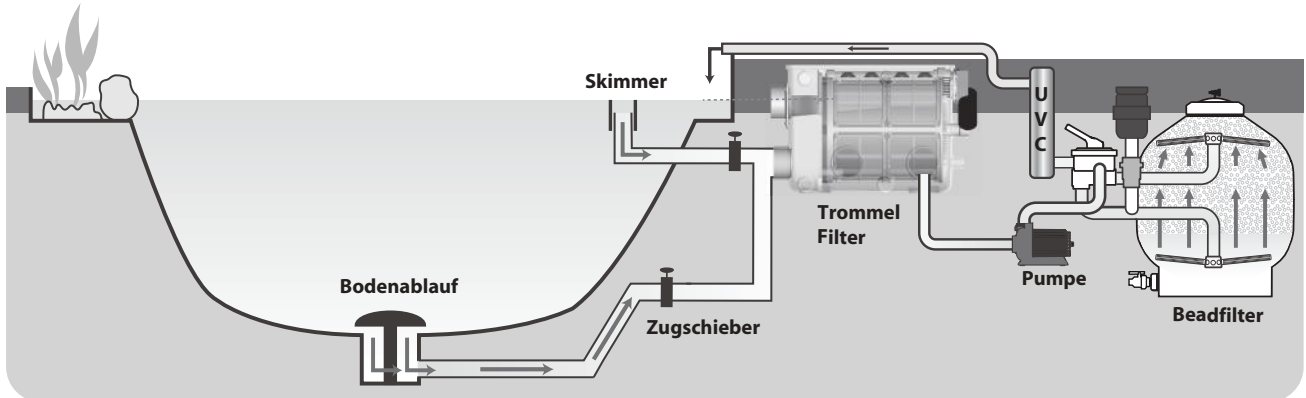
Das Wasser wird per Schwerkraft durch einem Bodenablauf und Skimmer zum Siebfilter geleitet. Von dort wird das Wasser mit einer Pumpe durch den Beadfilter gepumpt. Hinter dem Beadfilter läuft das Wasser dann durch einem UVC-Gerät zurück in den Teich.



DE

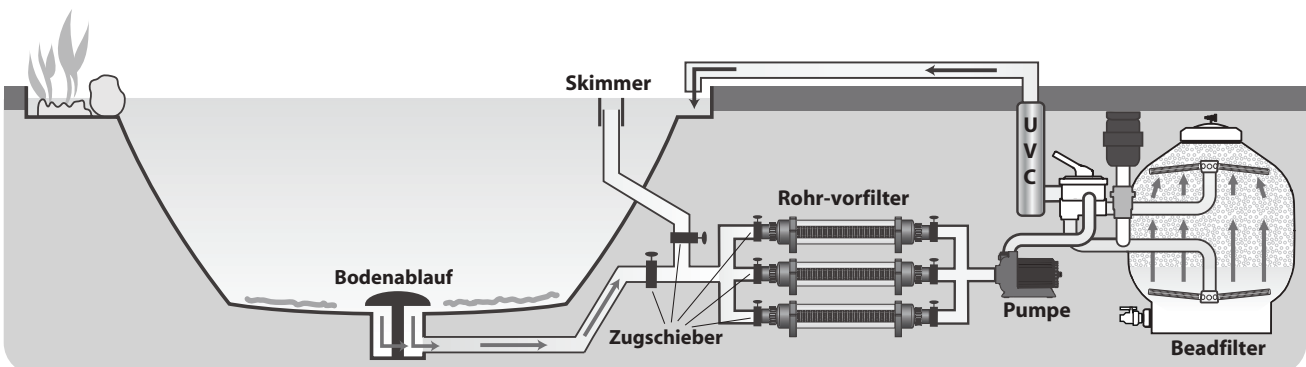
SCHWERKRAFT TROMMELFILTERSYSTEM

Das Wasser wird per Schwerkraft durch einem Bodenablauf und Skimmer zum Trommelfilter geleitet. Von dort wird das Wasser durch den Beadfilter mit einer Pumpe gepumpt. Hinter dem Beadfilter läuft das Wasser dann durch einem UVC Gerät zurück in den Teich.



ROHR VOR-FILTER SYSTEM

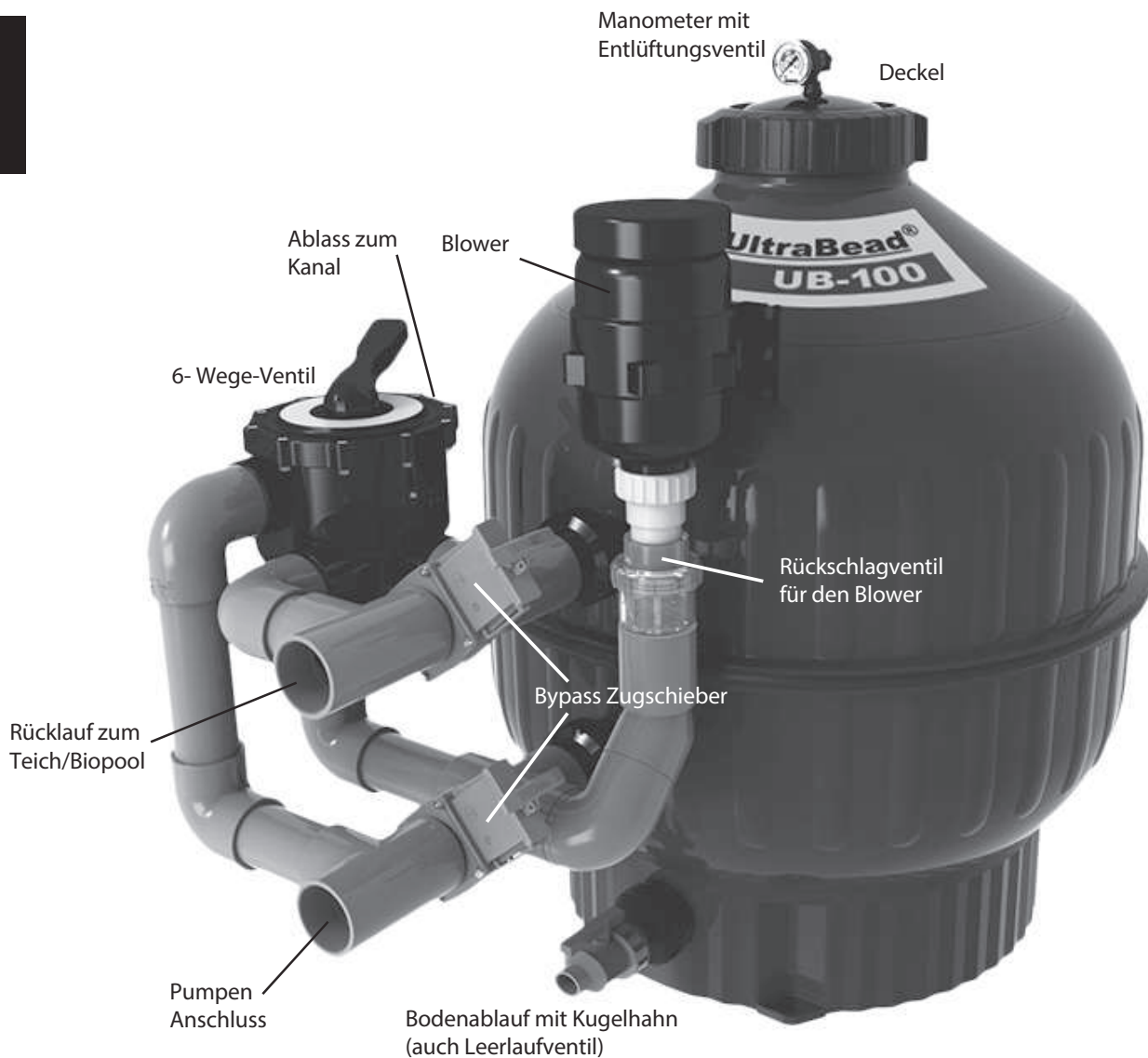
Wenn sich die Technikammer unter dem Wasserspiegel befindet, können wir den AquaForte Rohr-Vorfilter (RD430) als Alternative verwenden. Der Rest vom System kann wie vorher beschrieben bestehen bleiben. Wenn Sie 2 oder 3 parallel montieren, können diese eins nach dem anderen gereinigt werden, ohne das die Pumpe ausgeschaltet werden muss.



LERNEN SIE IHREN ULTRABEAD® FILTER KENNEN.

Ihr UltraBead® Filter in Detail

DE



INSTALLATIONSHINWEISE

Der Filter sollte so nah wie möglich am Teich/Biopool eingebaut werden. Einen Wasserablauf im Filterraum vorsehen.



ACHTUNG

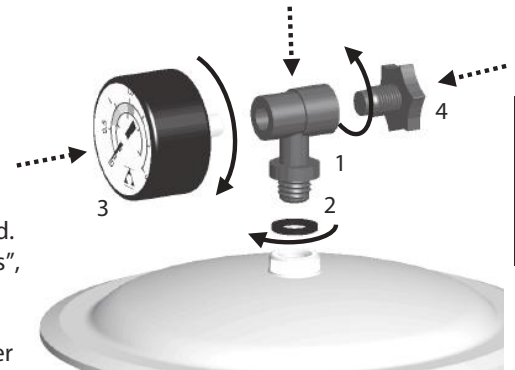
Falls das Filter in einem Raum montiert wird, muss ein Abfluss mit den korrekten Abmessungen installiert werden. So kann die maximale Wassermenge, die aus dem Teich/Biopool abfließt, abgeleitet werden und es wird vermieden, dass der Raum oder anliegende Räume überschwemmt werden. Falls diese Voraussetzung nicht erfüllt wird, haftet der Hersteller des Filters nicht für mögliche Schäden, die dritten Parteien durch Störungen am Filter selbst entstehen

WICHTIG: Lassen Sie genug Platz um den Filter herum, damit die nötigen Überprüfungen und die Wartung des Filters durchgeführt werden können

MONTAGE (1)

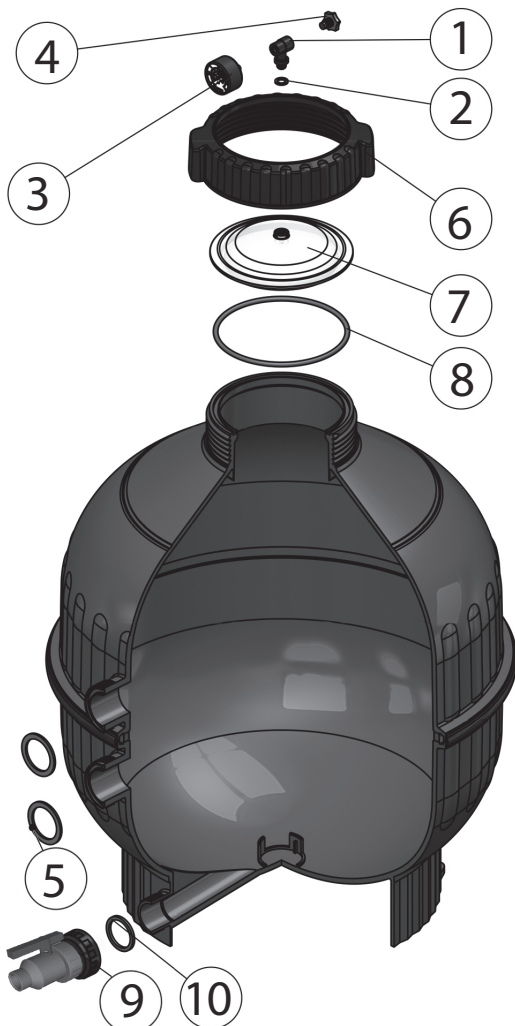
Um eine richtige Montage des Filters zu erzielen, folgen Sie die folgenden Anweisungen:

1. Stellen Sie den Filter auf eine horizontale und saubere Oberfläche.
2. Installieren Sie den Filter an seinen endgültigen Platz
3. Montieren Sie das 6-Wege-Ventil mit Bypass mit Hilfe der Schraubkupplungen und drehen Sie sie an das Filtergehäuse. Achten Sie darauf, dass die Dichtungen (5) zwischen Ventil und Filter richtig gestellt sind.
4. Verbinden Sie die 3 Anschlüsse: Pumpenausgang zum "Pumpen Anschluss", "Ablass zum Kanal" (Ø63mm) zum Wasserablauf und "Rücklauf zum Teich/Biopool" zurück zum Teich/Biopool.
5. Montieren Sie das Manometer T-Stück (1), die Dichtung (2), das Manometer (3) und den Entlüftungsventil (4). Es ist nicht nötig, Teflonband zu verwenden, da die Dichtigkeit hier durch die Dichtung garantiert wird. Das T-Stück nicht mit einem Werkzeug anziehen, nur mit den Händen reicht aus.



Montage des Manometers
(mit Entlüftungsventil)

DE



MONTAGE (2)

Installieren Sie das Bodenablauf-Ablassventil (9) mit Dichtring (10) auf die Gewindeverbindung des Bodenablasses (handfest, kein Werkzeug). Sie können den blauen Griff des Kugelhahns oben positionieren, indem Sie den grauen Überwurf lösen und dann den Hahn drehen. Dann ziehen Sie den Überwurf wieder von Hand fest.

BEADS EINFÜLLEN

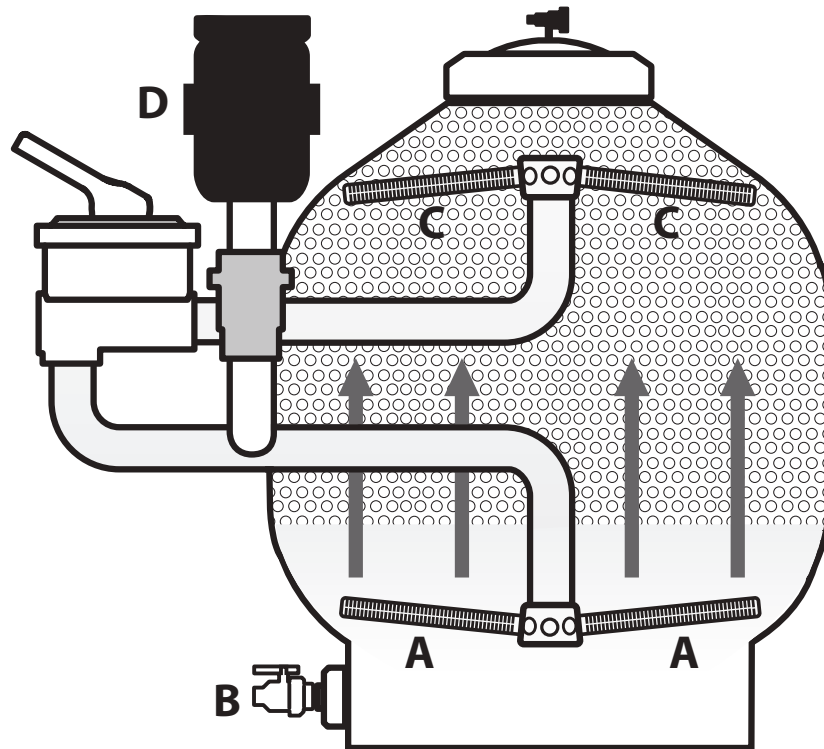
Den Beads einfüllen, wenn der Filter aufgestellt und die Verbindungsrohre angebracht sind.

1. Lösen und entfernen Sie den Schraubverschluss (6).
2. Entfernen Sie den durchsichtigen Deckel (7) und den O-Ring (8).
3. Überprüfen Sie, ob alle Auffangarme sich in gutem Zustand befinden.
4. Den Filter zur Hälfte mit Wasser füllen.
5. Füllen Sie in das Innere des Filters langsam und sehr vorsichtig die Beads ein.
6. Den Dichtungssitz des Deckels reinigen.
7. Bringen Sie den O-Ring (8) und den durchsichtigen Deckel (7) wieder an.
8. Schrauben Sie den Schraubverschluss (6) wieder drauf.

Achtung: Überprüfen, dass während des Betriebs das Filter kein Wasser durch die Schelle verliert.

Anmerkung: Der Hersteller haftet nicht für Schäden, die entstehen, während das Filter mit Beads gefüllt wird.

BEADFILTER FUNKTION



Das Wasser kommt unter Druck der Pumpe im Filter (A). Die festen Bestandteile sammeln sich in der Mitte des Filters und werden beseitigt durch den Druck des Filters. Das einzige was Sie jetzt machen müssen ist jede zweite Woche den Ablasshahn (B) zu öffnen weil die Pumpe im normale "FILTER" Stand steht, und der Schmutz wird in Sekunden entfernt. In der Praxis bedeutet dies, der meist einzigartige und effektiver Filter seiner Art. Ein effektiver Filter sammelt kein Schmutz, sondern entfernt den Schmutz!

Bis soweit die mechanische Filterwirkung, das beste kommt aber noch: die biologische Filterung!

Der große Gewinn dieses System ist das Filtermedium: die Beads. Diese kleine Perlen mit einem Durchmesser von ein paar Millimeter garantieren eine gigantisch hohe Oberfläche von 1600m^2 pro m^3 !

Diese Perlen schwimmen oben im Filter und werden durch ein spezielles geschlitztes Rohr (C) zurückgehalten, so das sie nicht aus dem Filter gelangen können. Das Wasser kommt unten herein und muss also an den Beads entlang nach oben um wieder aus dem Filter gelangen zu können. Auf diese Weise wird die große Oberfläche vollständig durch die nitrifizierenden Bakterien genutzt, und das Wasser optimal gereinigt. Das Wasser tritt schließlich durch das geschlitzte Rohr nach außen und kommt über den Bypass wieder in den Teich zurück.

Der UltraBead® Filter ist mit einer einzigartigen Anwendung versehen; der Blower (D). Dieser Blower (inklusive ein spezielles Rückschlagventil, das verhindert das Wasser zum Blower strömt) produziert eine gigantische Menge Luft im Filter, und da die Luft im Wasser steigt werden die Beads durch die Luft umgewühlt. Hierbei wird der Schmutz von und zwischen den Beads entfernt. Die Biofilmschicht für die nitrifizierenden Bakterien bleibt jedoch erhalten. Wenn diese Schicht zu dick wird, wird diese weggespült und Platz schaffen für eine neu Bakterienschicht. Die Luft verlässt den Filter durch das obere geschlitzte Rohr (C) und strömt über den RINSE Stand zum Abfluss. Nach dem spülen wird der Schmutz mit Wasser in "BACKWASH" Stand weggeleitet. Das Wasser kommt von oben (C) im Filter herein und geht über (A) wieder raus zum Ablauf. Nach der Backwash Prozedur wird noch einmal gespült im "RINSE" Stand, sodass das Wasser von A nach C fließt. Auf diese Weise wird der Schmutz der noch an der Oberfläche schwimmt entfernt, und kommt nicht mehr im Teich bei normaler Filterung. Siehe Seite 7 & 8 für Spülvorgang Details.

SPÜLFREQUENZ

Bei Teichen mit Fisch (Koi) empfiehlt es sich, während der Fütterungssaison ein- bis zweimal wöchentlich zu spülen.

Bei Schwimmteichen empfiehlt es sich, während der Badesaison einmal pro Woche oder einmal alle 2 Wochen zu spülen.

DER BY-PASS

UltraBead Filter sind mit einem komplett neuen Mehrwegeventil mit Standard Bypass ausgestattet. Hiermit wird der Einsatz von energiesparenden Pumpen möglich. Dank des sehr kompakten Bypass-Systems wird das 6-Wege-Ventil während der Filtration umgangen, so dass das Wasser auf geradem Wege direkt in und aus dem Filter läuft. Dies sorgt für minimal 30% weniger Druckverlust (abhängig vom Pumpentyp).



FILTRATION

Während der **FILTRATION** sind die 2 Schieberventile vollständig geöffnet und das 6-Wegeventil befindet sich in der Position **FILTER** (siehe Foto).

DE

SPÜLVORGANG

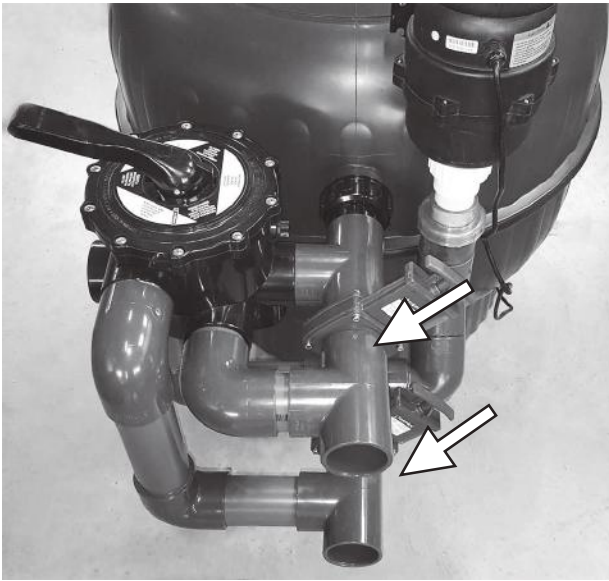


1. RINSE MIT LUFT

1. Stoppen Sie die Pumpe und schließen Sie die beiden Schieber.
2. Setzen Sie das 6-Wege-Ventil auf Position **RINSE** (siehe Foto).
3. Schalten Sie den Blower ein, um die Schmutzpartikel von den Beads zu trennen. Sie können den Blower für 2-3 Minuten laufen lassen.
4. Stoppen Sie den Blower und starten Sie die Pumpe, um den Filter wieder mit Wasser zu befüllen. Wenn das Wasser am Deckel ankommt, können Sie die Pumpe stoppen.

HINWEIS: Um beim Spülen Wasser zu sparen, wiederholen Sie die Schritte 3 & 4, indem Sie zusätzlich mit Luft spülen.

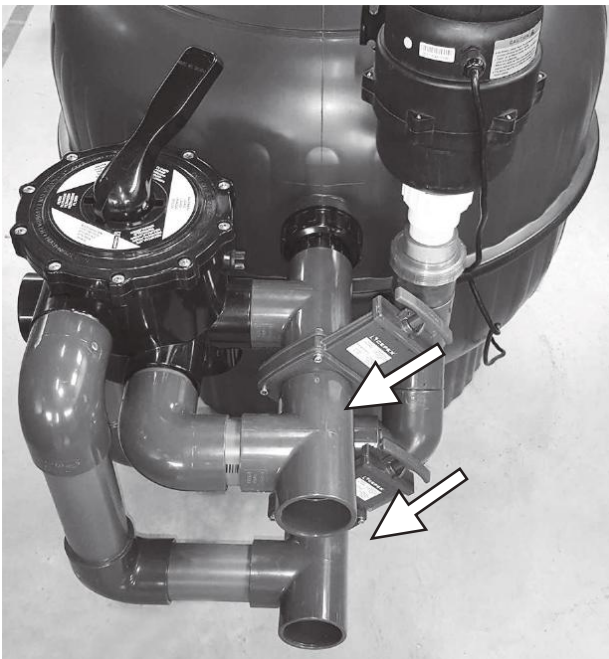
SPÜLVORGANG (2)



2. RÜCKSPÜLEN MIT WASSER

1. Setzen Sie das 6-Wege-Ventil auf Position **BACKWASH** (siehe Foto)
2. Starten Sie die Pumpe, um die Schmutzpartikel mit Wasser aus dem Filter zu spülen. Schauen Sie in das Schauglas am 6-Wege-Ventil, um zu sehen, ob das austretende Wasser noch schmutzig ist.
3. Wenn das Wasser im Schauglas klar ist, können Sie die Pumpe stoppen. Dies dauert durchschnittlich 1 bis 2 Minuten.

HINWEIS: Wenn Sie eine Pumpe mit variabler Geschwindigkeit verwenden, können Sie die Geschwindigkeit erhöhen für eine besonders effiziente Rückspülung.



3. RINSE MIT WASSER

1. Setzen Sie das 6-Wege-Ventil auf Position **RINSE** (siehe Foto)
2. Starten Sie die Pumpe, um die Schmutzpartikel mit Wasser aus dem Filter zu spülen. Schauen Sie in das Schauglas am 6-Wege-Ventil, um zu sehen, ob das austretende Wasser noch schmutzig ist.
3. Wenn das Wasser im Schauglas klar ist, können Sie die Pumpe stoppen. Dies dauert durchschnittlich 30 bis 60 Sekunden.



4. Stoppen Sie die Pumpe und stellen Sie das 6-Wege-Ventil in die **FILTER**-Position. Drehen Sie die Schieber wieder in die vollständig geöffnete Position (siehe Foto).

5. Starten Sie die Pumpe. Der Filter befindet sich nun wieder im **FILTRATION**-Modus.

DIE FUNKTION DES 6-WEGEVENTILS

Das Mehrwegventil hat einen Handhebel mit 6 Stellungen. Mit Hilfe dieses Handhebels können Sie die benötigten Operationen wählen.

WICHTIG: Mehrwegventil nur bei ausgeschalteter Pumpe betätigen!

“FILTER”: das Wasser kommt über den Beadfilter herein und geht von unten nach oben durch die Beads und verlässt den Filter oben über das geschlitzte Rohr, und fließt wieder zurück im Teich/Biopool.



“RECIRCULATE”: der Filter wird überschlagen und das Wasser des Teiches fließt von der Pumpe über den 6-wege Hahn wieder zurück im Teich, dies für den Fall Sie wollen den Teich mit Medikamente behandeln.



“WASTE”: das Wasser fließt nicht durch den Filter, sondern direkt in den Abfluss, wie beim spülen des Filters. Sie können den WASTE stand auch benutzen um den Teich leer zu pumpen, ohne das den Schmutz durch den Filter geht.



“RINSE”: Spülen des Filters. Hierbei wird der Blower verwendet um die Beads zu spülen. Nach der Backwash Prozedur wird noch einmal gespült im “RINSE” Stand, sodass das Wasser von unten nach oben fließt.



“BACKWASH”: Rückspülung. In dieser Stand lässt man die Pumpe so lange laufen, bis das Wasser im Sichtglas glasklar ist (normalerweise 1 bis 2 Minuten). Das Wasser kommt von oben im Filter herein und geht unten wieder raus zum Ablauf.



“CLOSED”: GESCHLOSSEN. Wie der Name sagt, wird dabei der Wasserdurchlauf vom Filter zur Pumpe geschlossen, was dazu dient, das Vorfilter der Pumpe öffnen zu können.



REIFUNGSPROZESS VOM FILTER

Es dauert ungefähr 4 bis 6 Wochen (bei einer Wassertemperatur von 15-18°C) ehe die Bakterienkolonie ausreichend ist um Ammonium abzubauen und genügend Biofilm anwesend ist für eine mechanische Wirkung. Während diese Anlaufzeit muss man öfters den Ammonium und Nitrit Wert testen. Wenn die Werte nicht stimmen muss man einen Wasserwechsel machen. Während die Anlaufzeit ist auch die mechanische Feinfiltration noch nicht optimal. Dies wird im Laufe der Zeit verschwinden durch das Wachstum der Bakterien. Dies ist zuständig für Beadfilter im allgemeinen. Um die Anlaufzeit zu verkürzen kann man eine Bakterienkultur zufügen.

UV LAMPEN

Beadfilter können Schmutzpartikel bis 5-10 Mikron zurückhalten. Manche Algen sind kleiner als 5 Mikron und werden nicht rausgefiltriert. Diese Algen sorgen dafür das das Wasser grün ist und nicht glasklar ist. Um dies zu verhindern braucht man eine UV Lampe.

ACHTUNG Wenn Sie ihren Filter 2 oder mehr Wochen nicht spülen muss man den Blower extra lange benutzen.

ACHTUNG Wenn Sie ihren Filter längere Zeit nicht benutzen und ihr Leitungswasser hat einen niedrigen KH Wert ist es empfehlenswert um den KH Wert zu erhöhen. Die Bakterien im Filter können soviel Kalziumkarbonat (KH) verbrauchen das der Ph Wert stark runter geht. Der KH Wert muss mindestens 3 sein. Es gibt verschiedene Produkte im Handel um den KH Wert zu erhöhen. Fragen Sie ihren Händler.

ERLÄUTERUNG VON DER ANWENDUNG DES NITE OUT II UND VOM STARTEN DES NITRIFIZIERENDEN PROZESSES:

Es ist anzuraten, dass vor der Anwendung des Nite Out II zuerst Microbe-Lift Clean & Clear zu verwenden um die restlichen organischen Abfälle zu beseitigen, weil eine hohe Konzentration von organischen Abfall den nitrifizierenden Prozess einschränken bzw. sogar verhindern kann. Verwenden Sie Nite Out II erst ein bis zwei Tage nach der Anwendung von Microbe-Lift Clean & Clear, damit dieser erst seine Arbeit verrichten kann. Außerdem ist es von Bedeutung, das zuerst der pH-Wert (dieser muss zwischen 7,5 und 8,7 sein) getestet wird und ob genug Alkalität vorhanden ist. Der KH-Wert muss immer mindestens drei sein. Dies ist von großer Bedeutung, da die nitrifizierenden Bakterien dieses als Brennstoff verbrauchen. Für ein Teil Ammonium werden sieben Teile Alkalität verbraucht! Ohne gute KH-Werte ist auch keine Nitrifikation möglich! Um den KH-Wert zu erhöhen können Sie z.B. AquaForte BioStabil verwenden, so dass sie einen Wert von drei bis sechs erreichen.

IHR ULTRABEAD® FILTER IM WINTER

Wenn Sie ihren Filter im Winter nicht benutzen machen Sie folgendes:

1. Führen Sie eine Spülung durch. Stellen Sie die 6-wegeklappe im "Winter" Stand. Den Winter Stand ist die Position zwischen CLOSED und WASTE wodurch kein Wasser in der Klappe bleibt.
2. Die Pumpe abschalten und dann drehen Sie die Leerlaufventile aus dem Pumpengehäuse wenn Sie eine Schwimmbadpumpe benutzen.
3. Öffnen Sie das Leerlaufventil vom Beadfilter und danach auch das Entlüftungsventil im Deckel. Bei den UltraBead Filter können die Beads entweichen, da dort kein Korb vor dem Ausgang sitzt. Schließen Sie hier das Ventil, sobald die ersten Beads entweichen. Öffnen Sie danach das Ventil ein bißchen, so dass nur Wasser herauskommen kann und keine Beads.
4. Lösen Sie alle Verbinder und sorgen dafür das die überirdische Rohre leer sind. Dies ist sehr wichtig für ihre UV Lampe!!

IM FRÜHLING:

1. Verbinden Sie wieder alle Rohre.
2. Die 6-wegeklappe in der FILTER Position, das Leerlaufventil dicht machen und Entlüftungsventil im Deckel öffnen. Schalten Sie die Pumpe wieder ein. Wenn die Luft raus ist, schließen Sie das Entlüftungsventil. Pumpe abschalten. Jetzt ein Spülvorgang durchführen. Während die ersten Wochen ist es ratsam öfters den Ammoniak und Nitrit Wert zu kontrollieren.

PROBLEME LÖSEN

Verringerung des Durchfluss

1. Wenn Sie bemerken das der Durchfluss verringert wird ist die meist logische Erklärung das man den Filter spülen muss. Der Beadfilter ist entwickelt um Schmutz zu entfernen. Wenn die Beads ganz verschmutzt sein wird sich der Durchfluss im Filter verringern. Führen Sie jetzt eine extra lange Spülung durch.
2. Wenn danach der Durchfluss noch immer zu wenig ist, kontrollieren Sie ob der Vorfilter der Pumpe nicht verstopft ist.

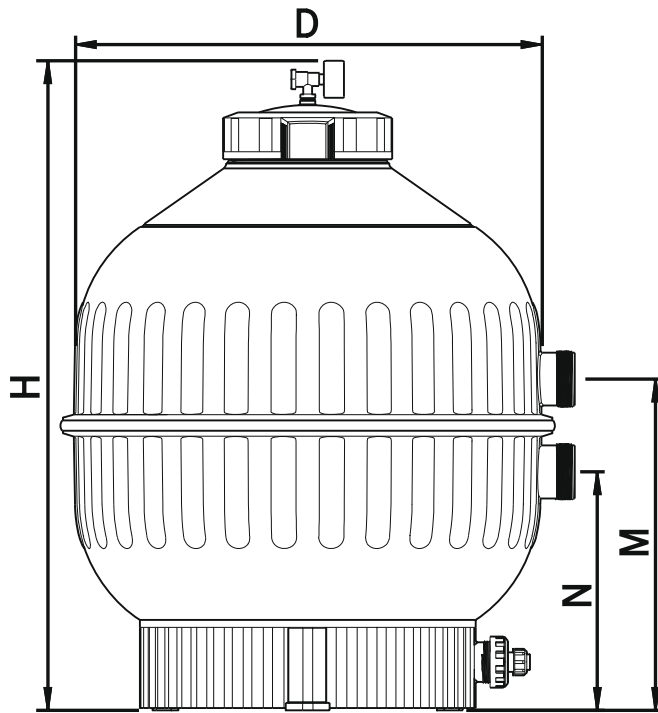
Verringerung der Klarheit vom Teichwasser

1. Wenn der Filter gereift ist, was 4-6 Wochen dauert (bei Wassertemperatur von 15-22°C), und Ihre Wasserqualität vorher in Ordnung war, und jetzt die Wasserwerte nicht in Ordnung sind führen Sie eine Spülung durch und lassen den Blower etwas länger als normal geöffnet.
2. Wenn die Klarheit nicht oder nur kurzzeitig verbessert, öffnen Sie den Filter und kontrollieren Sie die Beads und Rohrsystem. Wenn die Wasserqualität nicht verbessert und Sie haben ihre UV Lampe kontrolliert (manche UV Lampen verlieren ein Grossteil der Leistung schon nach 6 Monate. Andere haben eine Lebensdauer von 1 Jahr. Kontrollieren Sie wann die Brenner zuletzt erneuert sind. Mindestens einmal pro Jahr tauschen.
3. Ist die Wasserqualität nicht verbessert kontrollieren Sie den Durchfluss des Systems. Der gesamte Teichinhalt muss mindestens 3 bis 4 mal am Tag durch den Filter gehen. Wenn der Teichinhalt nicht oft genug durch den Filter geht, wird die Menge an Schmutz im Filter auch verringern. Vergewissern Sie sich das die Pumpe ausreichend ist für ihren Teich

Hohe Ammoniak und Nitritwerte die vorher stabil waren

Wenn die Temperatur im Teich schon 6 Wochen oder länger +/- 20° C ist und der Ammoniak und Nitritwert vorher stabil waren aber jetzt die Werte erhöht sind können Sie folgendes machen:

1. Führen Sie eine extra lange Spülung durch und lassen das Gebläse länger an als normal. Wenn das Filtermaterial ganz gesättigt ist mit Schmutz wird die Oberfläche für die Bakterien die Ammonium abbauen viel kleiner. Die intensive Spülung wird die Oberfläche wieder freimachen und die Biokonversion fängt von vorne wieder an.
2. Wenn der Ammoniak Wert noch immer zu hoch ist, öffnen Sie den Filter und kontrollieren Sie das Rohrleitungssystem ob sich da kein Schmutz abgelagert hat und kontrollieren Sie ob das Filtermaterial nicht verklumpt ist.
3. Wenn immer noch die Ammoniakwerte zu hoch sind kontrollieren Sie die Futtermenge. 100 Liter Beads können ungefähr 700 Gramm Futter (mit Proteingehalt von 35%) abbauen. Kontrollieren Sie wie viel Liter Beads in ihren Filter sind und vergleichen das mit der tägliche Futtermenge.
4. Wenn der Ammoniakwert immer noch zu hoch ist kontrollieren sie den Durchfluss des Filters. Der gesamte Teichinhalt soll mindestens 3 bis 4 Mal am Tag durch den Filter laufen. Wenn der Durchfluss zu gering ist wird der Abbau von Ammoniak auch gering sein. Wenn der Durchfluss zu gering ist finden Sie am Anfang der Seite verschiedene Lösungen.
5. Wenn al dies in Ordnung ist überprüfen Sie ihren Fischbesatz im Teich. Wenn Sie zu viele Fische im Teich haben wird natürlich auch zuviel gefüttert was wieder führt zu erhöhte Ammoniakwerte.
6. Wenn die Werte immer noch nicht stimmen stellen Sie sich in Verbindung mit ihren Händler.



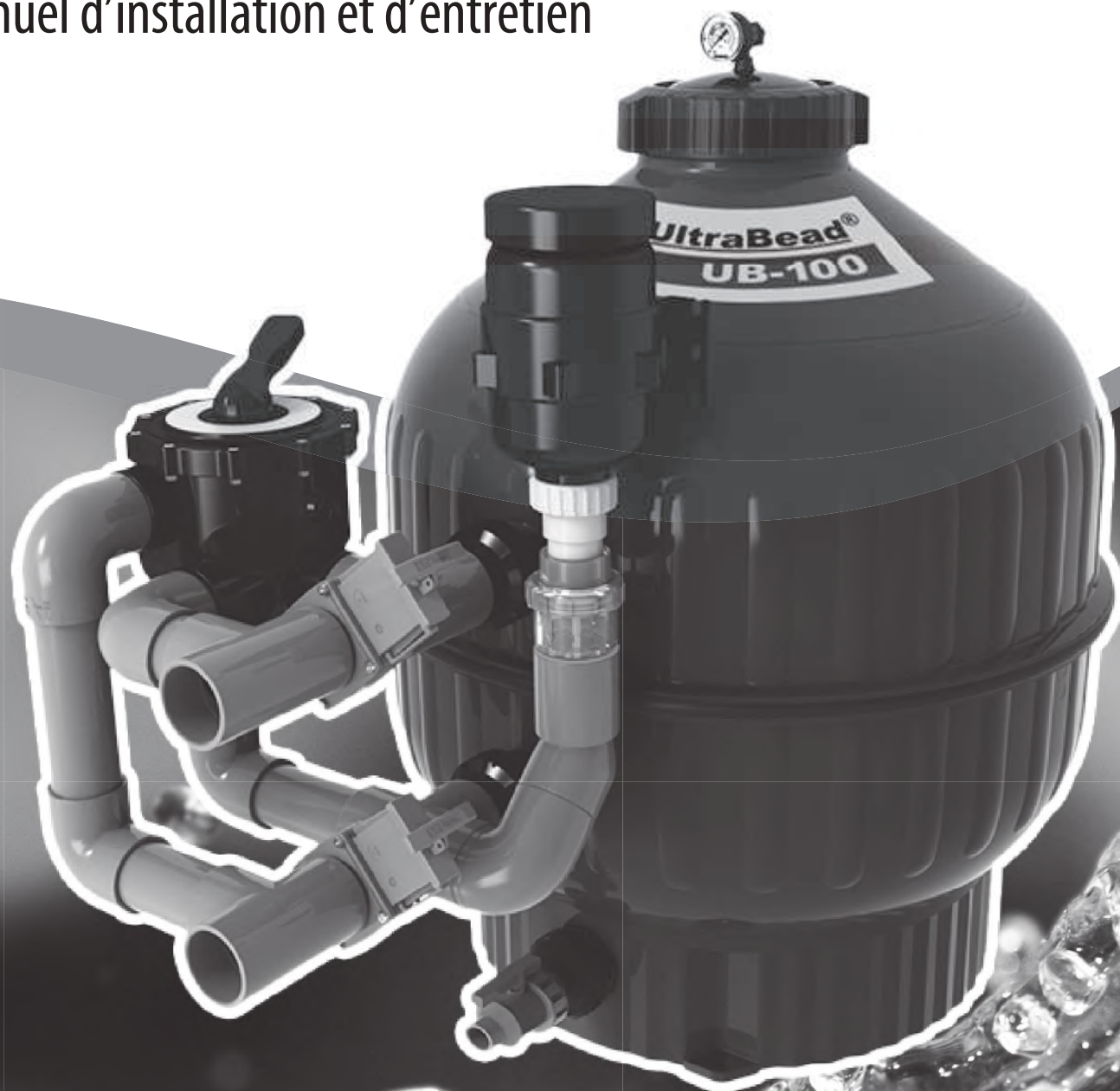
DE

	UB60	UB100	UB140
Ø D (mm)	600	750	900
H (mm)	875	1045	1215
M (mm)	445	575	675
N (mm)	320	345	405
Anschl.	Ø63mm	Ø63mm	Ø75mm
Max. Flow m ³ /h	18	24	30

TYP	ARTNR.	MAX. SCHWIMM- TEICH	MEDIEN (BEADS)	MAX. TEICH INHALT	MAX. FISCH- BESATZ
UB 60	SK403	80 m ³	120 ltr	40 m ³	100 kg
UB 100	SK405	120 m ³	170 ltr	60 m ³	135 kg
UB 140	SK407	200 m ³	255 ltr	100 m ³	200 kg

AquaForte UltraBead Beadfilter

Manuel d'installation et d'entretien





IMPORTANT

Le manuel d'instructions que vous avez entre les mains contient des informations de première importance sur les mesures de sécurité à adopter au moment de l'installation et de la mise en service. Il est par conséquent indispensable que l'installateur et l'utilisateur lisent attentivement les instructions avant de commencer le montage et la mise en marche. Conservez ce manuel en vue de futures consultations sur le fonctionnement de cet appareil.

AquaForte introduit les nouveaux filtres UltraBead! Après plus de 17 ans de succès, le filtre à beads le plus populaire d'Europe est remplacé par une nouvelle génération. Les nouveaux filtres UltraBead sont fabriqués dans un thermoplastique indestructible via la méthode de moulage par injection avec pied coulé la plus fiable au monde. Tous les modèles sont dotés en standard de la construction de vanne totalement renouvelée avec by-pass standard! Cela garantit un débit maximal pour une chute de pression minimale. De plus, l'UB140 est muni d'une tuyauterie de Ø75 mm pour une résistance encore réduite.

Les filtres à bead sont des récipients (sous pression) fermés, remplis de millions de granulés plastiques (beads). Etant donné que ces granulés flottent, ils assurent une filtration mécanique et, grâce à leur grande surface d'adhérence, aussi une filtration biologique.

Filtration mécanique: les granulés flottent dans un récipient fermé et sont donc fortement regroupés. L'eau y est forcée par la pression de la pompe, ce qui fait que les particules de saletés sont piégées par ces granulés. Tout au long de l'utilisation du filtre, la pellicule biologique autour des granulés s'épaissit, ce qui permet de piéger des saletés de plus en plus fines (jusqu'à 10 microns!).

Filtration biologique: les granulés plastiques présentent une surface d'adhérence d'environ 1600 m² par m³. La pellicule biologique autour des granulés procure donc aux bactéries une surface gigantesque pour décomposer l'ammoniac, le nitrite et le nitrate.

La teneur en poissons dans le tableau (page 12) est basée sur 1% d'aliments par jour.

Capacité de pompe recommandée: Pour une colonne d'eau de 2 à 3 mètres (0,2 - 0,3 bar), la pompe doit pouvoir pomper la moitié du contenu réel de l'étang par heure (voir le graphique de la pompe en question). Pour les étangs à Koi de 40 m³ et plus, tenir compte d'un pompage du contenu de l'étang en 3 à 4 heures. Les filtres sont livrés avec beads inclus.

ATTENTION : pression de service maximale 2,5 bar (25 mètres).

Les filtres à beads sont aussi idéaux pour les étangs de baignade! Ils garantissent une eau limpide et saine!

POUR DE PLUSAMPLES INFORMATIONS, ALLEZ À: www.ultrabead.nl



Les filtres à bead série UB sont équipés d'un ventilateur 230VAC.
Avant d'installer cet appareil, lisez attentivement cette notice d'utilisation.

SÉCURITÉ:

- Insérez toujours la fiche de l'appareil dans une prise avec mise à la terre dotée d'un clapet de fermeture.
- Utilisez toujours une mise à la terre (Max 30 mA).
- Veillez toujours à ce que l'appareil ne soit plus sous tension avant de procéder à des travaux de maintenance ou de remplacement. N'insérez/ne retirez jamais la fiche de la prise avec les pieds dans une flaque d'eau ou les mains mouillées.
- Cet appareil n'est pas conçu pour être utilisé par des personnes (y compris des enfants) aux capacités corporelles, sensorielles ou mentales amoindries, ou ne disposant pas de l'expérience ou des connaissances requises, sauf si elles sont sous la supervision ou reçoivent des instructions concernant l'utilisation de l'appareil d'une personne responsable de leur sécurité.
- Il est impossible de remplacer le câble de cet appareil. En cas d'endommagement du câble électrique, il faut remplacer l'appareil complet. Un appareil avec fiche coupée n'est pas couvert par la garantie.
- N'immergez jamais l'appareil.
- Maintenez les enfants à distance de cet appareil et du câble électrique.
- Ce produit doit exclusivement être utilisé conformément aux directives reprises dans cette notice.

INSTALLATION

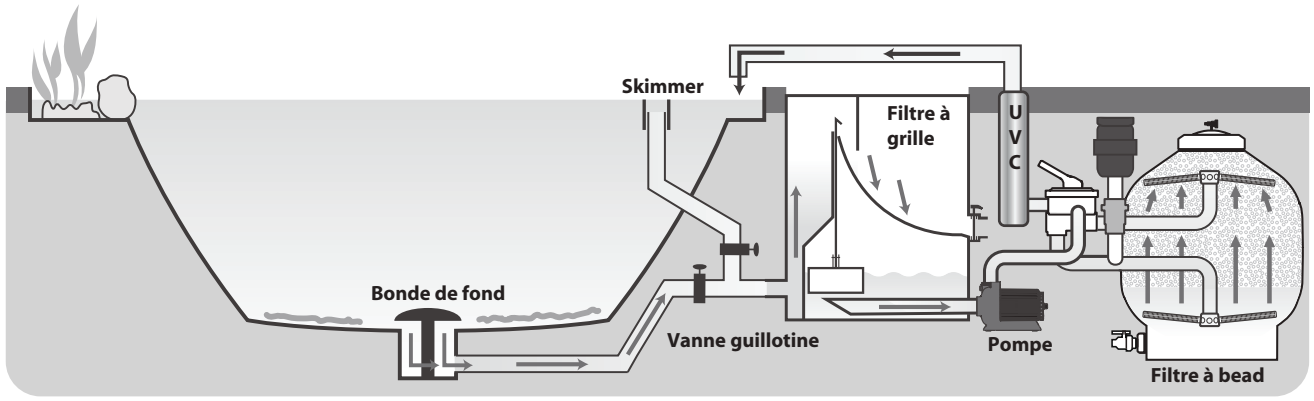


Préfiltres : étant donné que le système d'admission et d'échappement d'un filtre à granulés présente un passage étroit de $\pm 1,5$ mm, il est impossible de le raccorder directement au drain de fond ou à la pompe d'étang suite au risque de colmatage par des algues filamenteuses, par des feuilles (mortes) et par d'autres impuretés mécaniques. Par conséquent, utilisez toujours un préfiltre pour piéger ces saletés !

Nous donnons ci-dessous quelques exemples de préfiltres possibles :

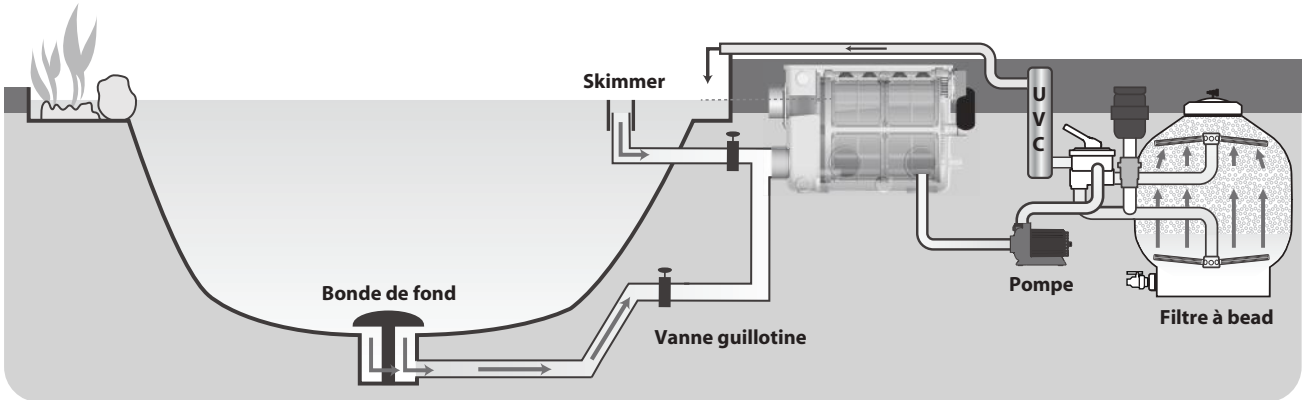
SYSTÈME DE FILTRE À BEAD ALIMENTÉ PAR GRAVITÉ

Grâce à l'action de la gravité, l'eau passe, par une bonde de fond, au filtre à grille. Après la grille, l'eau est pompée à travers le filtre à bead et retourne vers l'étang en passant une lampe UV.



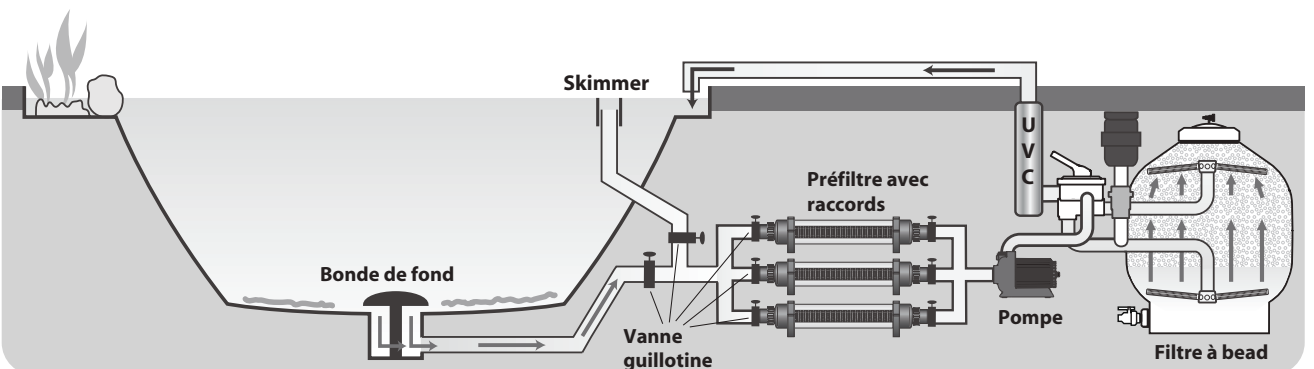
SYSTÈME DE FILTRE À TAMBOUR ALIMENTÉ PAR GRAVITÉ

Grâce à l'action de la gravité, l'eau passe, par une bonde de fond, au filtre à tambour. Depuis la filtre à tambour, l'eau est pompée à travers le filtre à bead et retourne vers l'étang en passant une lampe UV.



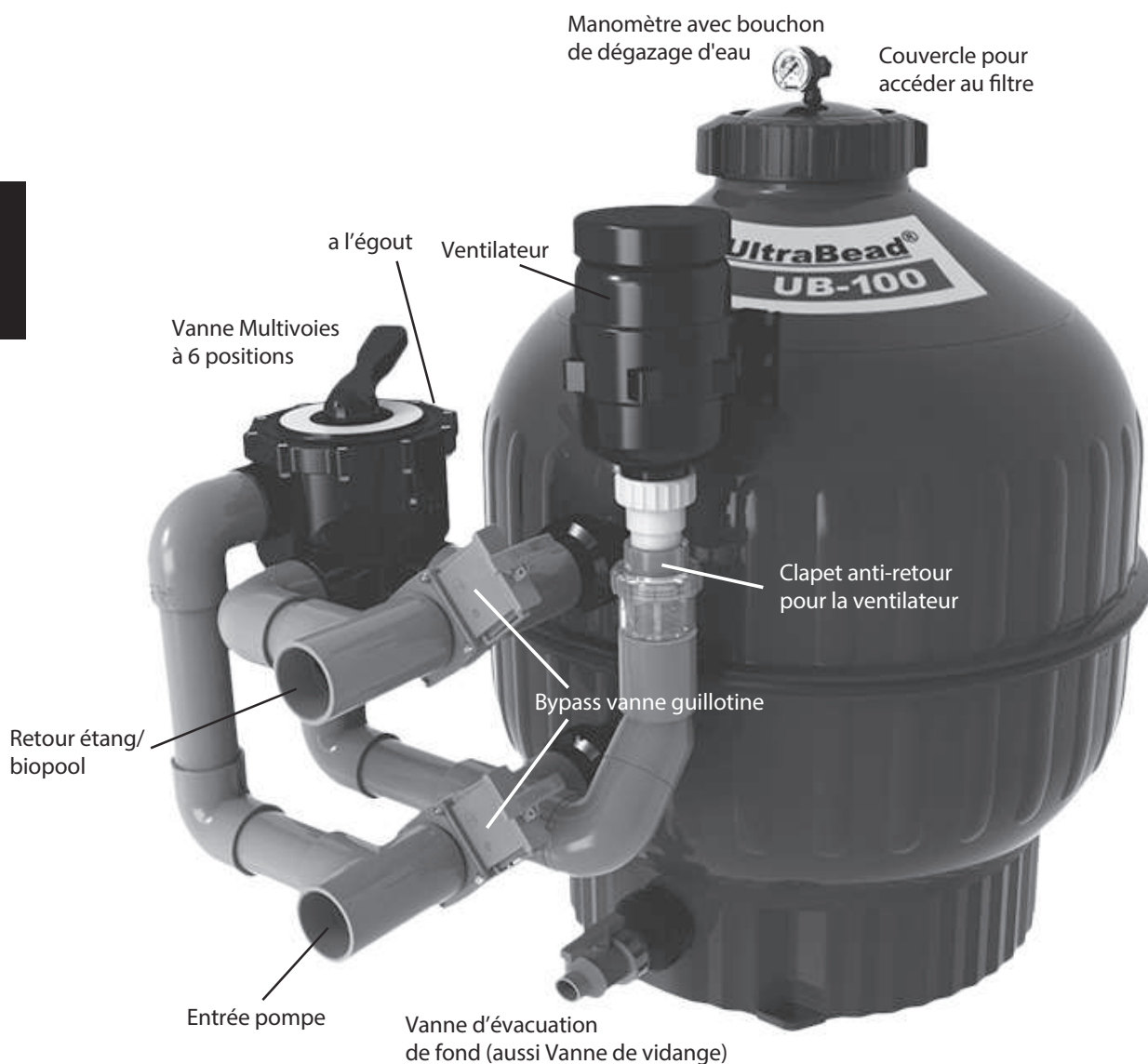
PRÉFILTRE AVEC RACCORDS

Lorsque l'espace technique est en dessous du niveau de l'eau, nous pouvons utiliser le système de préfiltre en ligne AquaForte (RD430) comme préfiltre alternatif. Le reste du système peut être le même que les exemples décrits ci-dessus. Quand vous montez plusieurs préfiltre en parallèle, ils peuvent être nettoyés un par un sans arrêter la pompe.



PRESENTATION DU FILTRE ULTRABEAD[®]

La photo ci-dessous représente le filtre UltraBead[®] et ses éléments



L'INSTALLATION

Le filtre doit être installé le plus près possible de l'étang/biopiscine. Prévoir un égout dans le local où sera situé le filtre.



ATTENTION

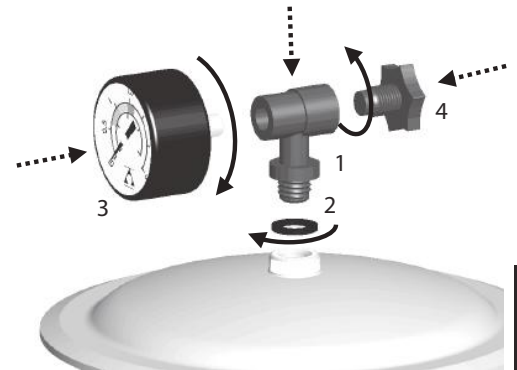
Si le filtre est installé dans un local, il faut prévoir une vidange aux dimensions correctes pour évacuer le maximum d'eau s'écoulant de l'étang/biopiscine afin d'éviter le risque d'inondations dans le local en question ou dans les locaux contigus ; si cette obligation n'est pas exécutée, le fabricant du filtre est libéré de toute responsabilité des possibles dommages occasionnés à des tiers par suite d'un incident survenu sur le filtre.

IMPORTANT: Toujours laisser espace suffisant autour du filtre afin de pouvoir réaliser les contrôles et l'entretien nécessaires pendant la vie utile du filtre.

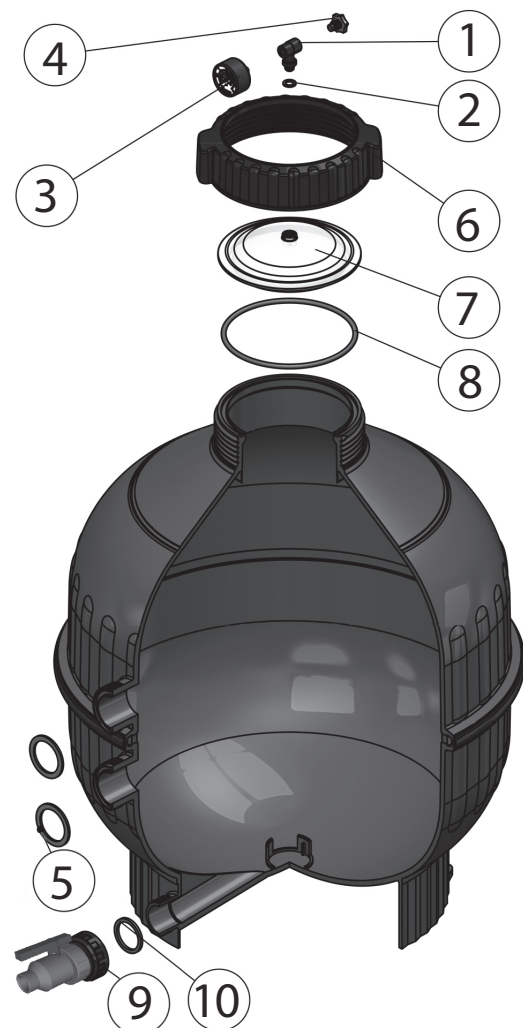
MONTAGE (1)

Procédez comme suit pour un correct montage du filtre:

1. Installer le filtre sur une surface horizontale et complètement propre.
2. Installer le filtre sur l'emplacement final.
3. Installer la vanne multivoie avec bypass dans le filtre. Faire attention à que les joints (5) entre la vanne et le filtre sont correctement positionnés.
4. Réaliser les trois connexions: tuyauterie de la pompe à "Entrée pompe", de la vanne à l'égout (Ø63mm) et "Retour l'étang/biopiscine".
5. Installer le Té manomètre (1), le joint (2), le manomètre (3) et le bouchon de dégazage d'eau (4) (voir schéma). Il n'est pas nécessaire l'utilisation de Téflon, car l'étanchéité est garantie par le joint. Ne pas serrer le Té manomètre avec l'aide d'un outil, car il suffit avec les mains.



Montage du manomètre
(avec le bouchon de dégazage d'eau)



MONTAGE (2)

Montez le robinet de vidange du drain de fond (9) avec la bague en caoutchouc (10) sur le raccord fileté du drain de fond (à la main, sans outils). Vous pouvez positionner le levier bleu du robinet à bille vers le haut en desserrant le presse-étoupe gris et en tournant le robinet. Resserrez ensuite le presse-étoupe à la main. Assurez-vous que le robinet est fermé avant de remplir le filtre.

CHARGE DE BEADS

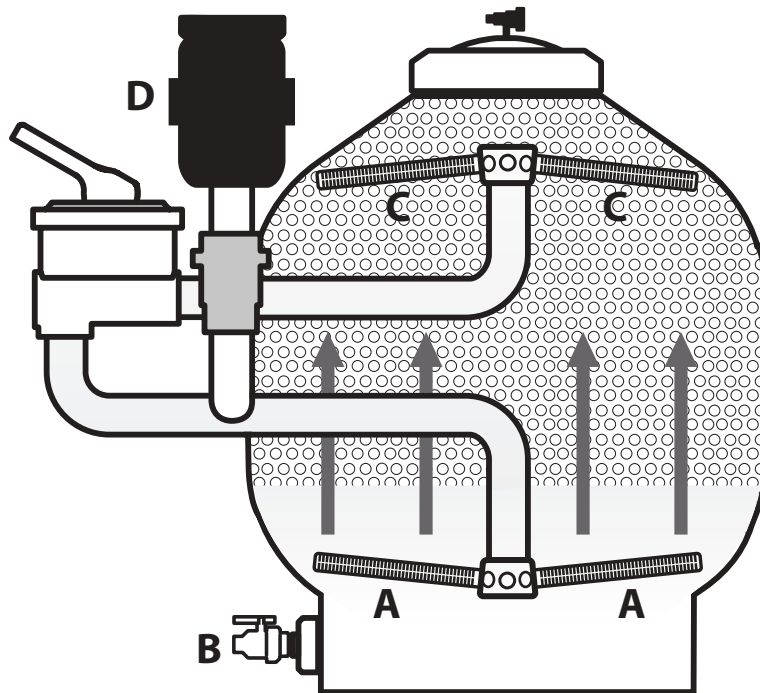
Mette le filtre en place et raccorder les tuyauteries.

1. Dévisser et enlever le couvercle fileté (6).
2. Retirer le couvercle transparent (7) et le joint torique (8).
3. Vérifier que les bras collecteurs sont mis en place et sont en état de marche.
4. Remplir le filtre, peu à peu et en faisant très attention, avec de l'eau jusqu'à la moitié du filtre.
5. Verser les beads à l'intérieur du filtre, doucement et en faisant très attention.
6. Nettoyer la rainure du joint de couvercle.
7. Replacer le joint torique (8) et le couvercle transparent (7).
8. Revisser le couvercle fileté (6).

Attention : Quand la pompe est allumer, vérifiez que le filtre ne perd pas d'eau par la couvercle fileté.

Remarque : le fabricant n'assume pas la responsabilité d'un dommage quelconque occasionné sur le filtre pendant le remplissage du filtre avec du beads.

PRINCIPE DE FONCTIONNEMENT DU FILTRE ULTRABEAD



FR

L'eau entre en (A) sous la pression de la pompe. Les particules lourdes sont séparées et forcées vers le centre du filtre, comme dans un vortex. Les particules se regroupent au centre du filtre en attendant leur évacuation sous la pression de la pompe. Tout ce que vous avez à faire, c'est d'ouvrir pendant quelques instants la vanne de fond pour l'évacuation des impuretés (B) lors du fonctionnement de la pompe avec le filtre en position normale « FILTER » pour que les particules lourdes soient évacuées en quelques secondes seulement. Grâce à ce système, vous bénéficiez donc d'un filtre unique d'une efficacité inégalée. Un filtre efficace qui non seulement retient les impuretés, mais qui les évacue en plus !

Pour l'instant, nous avons uniquement parlé de la première filtration mécanique, mais ce n'est pas tout : il reste la filtration mécanique fine et biologique ! Le grand avantage de ce système réside dans sa matière de filtration : les billes. Ces billes d'un diamètre de quelques millimètres seulement assurent une surface d'adhésion inégalée de 1600 m² le m³ !

Les billes flottent dans la partie supérieure du filtre et sont retenues par un tube à fentes (C) pour qu'elles ne puissent s'échapper du filtre. L'eau de l'étang entre dans la partie inférieure et doit donc monter à travers les billes pour sortir du filtre. Ainsi, la grande surface d'adhésion est intégralement utilisée par les bactéries nitrifiantes qui s'incrustent sur les billes pour une purification optimale de l'eau. Les particules ultrafines et flottantes sont éliminées de la même manière, grâce au pouvoir de filtration des billes flottantes. Finalement, l'eau sort par le tube à fentes et retourne à l'étang par la bypass.

La gamme UltraBead[®] est pourvue d'un système unique : la ventilateur (D). Cette ventilateur (équipée d'un clapet anti-retour spécial pour éviter la pénétration d'eau dans la ventilateur), propulse une énorme quantité d'air dans le filtre. L'air montant dans l'eau, les billes sont rincées d'une manière très efficace. Lors de ce rinçage, les impuretés se détachent des billes pour être éliminées par la suite. Par contre, le film bio pour les bactéries nitrifiantes est préservé. Lorsque cette couche devient trop épaisse, elle est éliminée par le rinçage pour faire place à un nouveau film. L'air quitte le filtre à travers le tube supérieur à fentes (C) et passe à l'égout par la position « RINSE » de la vanne à 6 voies

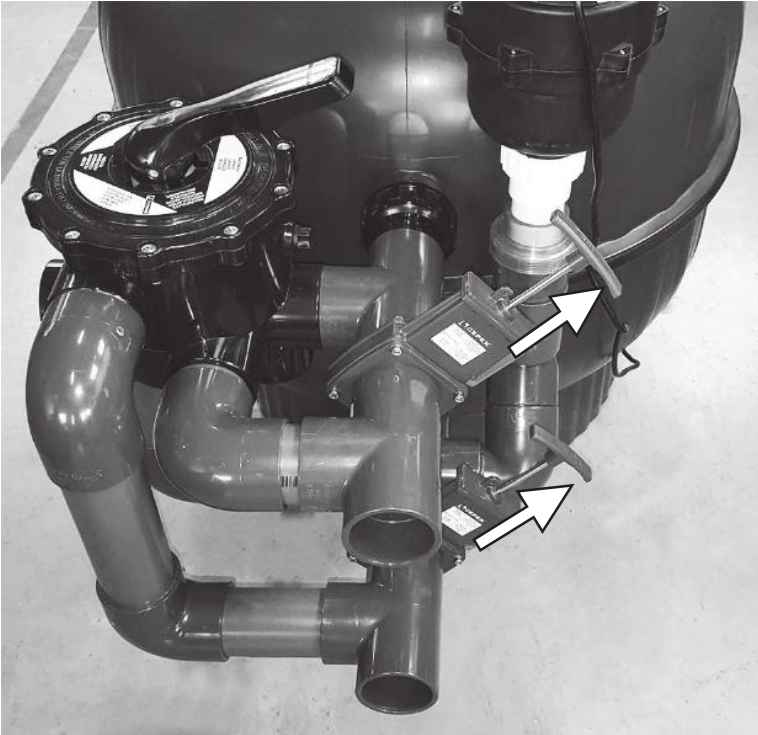
Après le rinçage à air, l'eau avec les impuretés ultrafines sont évacués vers l'égout en position BACKWASH. L'eau passe maintenant dans le filtre dans le sens inverse (de C à A) pour évacuer les particules détachées vers l'égout à travers la vanne à 6 voies. Après le rinçage inversé Backwash, un deuxième rinçage avec de l'eau est effectué en position RINSE. Maintenant, les dernières impuretés du filtre sont évacuées vers l'égout par la voie normale (de A à C). Vous trouverez les détails complets sur le backwash (rétrolavage) aux pages 7 et 8.

FREQUENCE DE RINCAGE

Pour les étangs avec des poissons (koi), il est recommandé de rincer 1 à 2 fois par semaine pendant la saison de nourrissage. Pour les étangs de baignade, un rinçage une fois par semaine ou une fois toutes les deux semaines est suffisant pendant la saison de baignade.

LES UTILISATIONS DU BY-PASS

Les filtres UltraBead sont livrés avec un système de vannes avec by-pass pour réduire la consommation d'électricité. Ce by-pass veille à ce que la vanne à 6 voies ne soit pas utilisée pendant la FILTRATION. Cela permet d'économiser 30 à 40% d'énergie (en fonction de la perte de pression et du type de pompe).



FILTRATION

Pendant la **FILTRATION**, les 2 robinets-vannes sont en position complètement ouverte et la vanne à 6 voies est en position **FILTRE** (voir photo).

FR

PROCEDURE DE RINCAGE

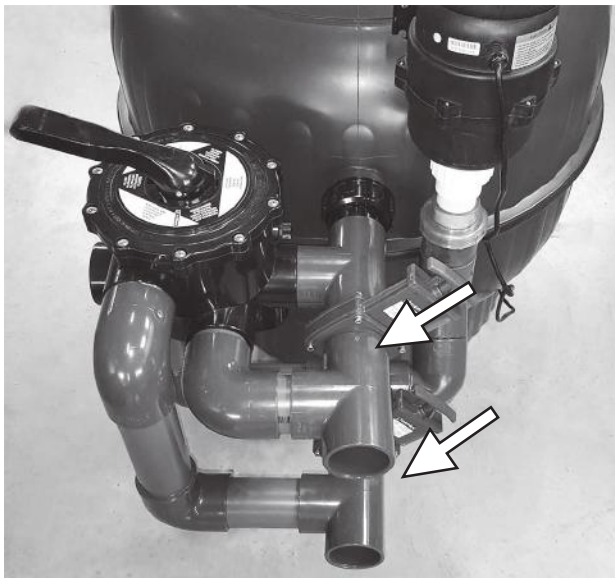


1. RINCAGE A L'AIR

1. Arrêtez la pompe et fermez les deux robinets-vannes.
2. Mettez la vanne à 6 voies en position **RINCAGE** (voir photo).
3. Allumez le ventilateur pour séparer les particules de saleté des granulés. Vous pouvez laisser tourner le ventilateur pendant 2 à 3 minutes.
4. Arrêtez le ventilateur et démarrez la pompe pour remplir le filtre d'eau. Quand l'eau atteint à nouveau le couvercle, vous pouvez arrêter la pompe.

REMARQUE : Pour économiser de l'eau pendant le rinçage, répétez les étapes 3 et 4 en effectuant un rinçage supplémentaire à l'air.

PROCEDURE DE RINCAGE (2)



2. BACKWASH A L'EAU

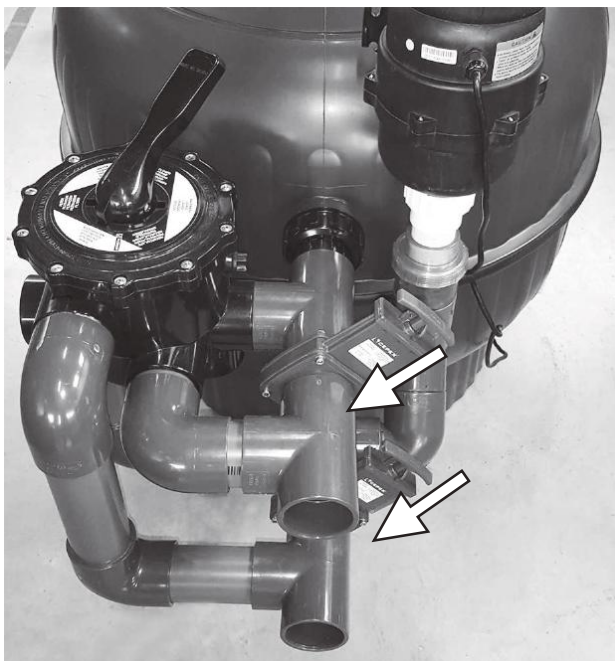
1. Mettez la vanne à 6 voies en position **BACKWASH** (voir photo)

2. Démarrez la pompe pour rincer les particules de saleté du filtre avec de l'eau. Regardez dans le regard de la vanne à 6 voies pour voir si l'eau qui s'écoule est encore sale.

3. Lorsque l'eau dans le regard est claire, vous pouvez arrêter la pompe. Cela prend en moyenne 1 à 2 minutes.

REMARQUE : Lorsque vous utilisez une pompe à vitesse variable, vous pouvez augmenter la vitesse pour un rinçage plus efficace.

FR

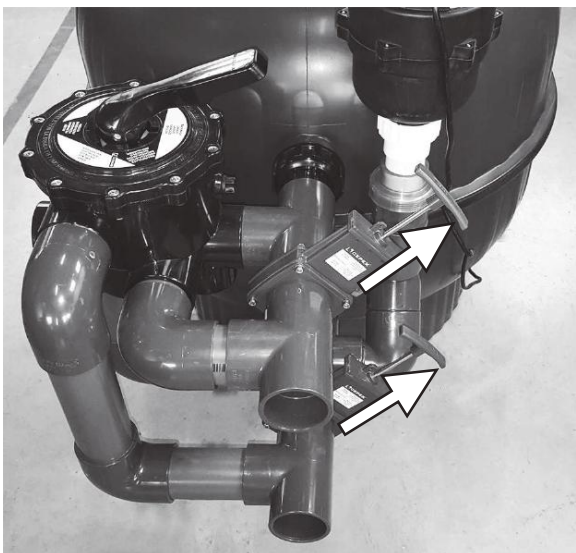


3. RINCAGE A L'EAU

1. Mettez la vanne à 6 voies en position **RINSE** (voir photo)

2. Démarrez la pompe pour rincer les dernières particules de saleté du filtre avec de l'eau. Regardez dans le regard de la vanne à 6 voies pour voir si l'eau qui s'écoule est encore sale.

3. Lorsque l'eau dans le regard est claire, vous pouvez arrêter la pompe. Cela prend en moyenne 30 à 60 secondes.



4. Arrêtez la pompe et mettez la vanne à 6 voies sur la position **FILTER**.

Remettez les robinets-vannes en position complètement ouverte (voir photo).

5. Démarrez la pompe. Le filtre est maintenant en position **FILTRATION**.

LES FONCTIONS DE LA VANNE A 6 VOIES

La vanne multivoie possède une manette à 6 positions qui permette selectionner les opérations necessaires pour le bon fonctionnement du filtre.

IMPORTANT: Tout changement de position de la manette de la vanne multivoie doit se faire avec la pompe arrêtée!

“FILTER”: l’eau entre le filtre à billes en (A) et monte de la partie inférieure vers la partie supérieure à travers les billes et quitte le filtre à travers le tube à fentes (C) pour retourner à l’étang/biopool.



“RECIRCULATE”: le passage par le filtre est contourné et l’eau de l’étang passe à partir de la pompe à travers la vanne à 6 voies directement à l’étang au cas où vous auriez besoin de traiter l’eau avec des produits ne devant pas entrer dans le filtre.



“WASTE”: l’eau ne passe pas par le filtre, mais est évacuée directement vers l’égout. Vous pouvez vous servir de la position « WASTE » pour vider l’étang sans que les impuretés passent par le filtre.



“RINSE”: rinçage du filtre. Lors du premier rinçage, la pompe à air UltraTrust Blower est activée pour rincer les billes. Après le rinçage inversé Backwash, un deuxième rinçage avec de l’eau est effectué en position « RINSE » pour évacuer les impuretés situées dans la partie supérieure du filtre.



“BACKWASH”: rinçage inversé. Dans cette position, la pompe fonctionne jusqu’à ce que l’eau dans l’hublot devienne claire (en général, 1 à 2 minutes). Il est impossible d’éliminer l’ensemble des particules ultrafines d’un filtre. Par ce rinçage, les particules ultrafines sont évacuées au lieu de retourner à l’étang. L’eau entre dans la partie supérieur (C) et est évacuée du filtre par l’entrée (A).



“CLOSED”: Fermeture. Comme le nom l’indique, cette position s’utilise pour fermer le passage de l’eau de la pompe au filtre. Elle permet d’ouvrir le préfiltre de la pompe.



DUREE DE FORMATION DE LA CULTURE DE BACTERIES ET DU FILM BIO

A une température de 15 à 18 °C, la formation d'une culture de bactéries suffisamment importante pour décomposer l'ammonium et d'un film autour des billes pour la filtration mécanique fine prendra 4 à 6 semaines environ. Durant cette période, il faut donc soigneusement vérifier les taux d'ammonium et de nitrite. Lorsque ces valeurs deviennent trop élevées, il faut prendre les mesures adéquates, telle que le renouvellement de l'eau. Durant cette phase de formation de la culture de bactéries et du film bio, la filtration mécanique fine n'est pas encore tout à fait optimale, de sorte que l'eau n'ait peut-être pas encore son aspect « poli » tel que vous le souhaiteriez. Ces phénomènes s'améliorent au fil du temps, grâce à la croissance du film bio et la culture des bactéries. Cette période préparatoire est normale pour tout filtre à billes. Pour favoriser cette période initiale, vous pouvez vous procurer des cultures de bactéries chez votre distributeur.

STERILISATEURS D'UV

Les filtres à billes peuvent retenir des particules jusqu'à 5 à 10 microns. Certaines algues peuvent être inférieures à 5 microns et ne seront donc pas éliminées par les billes. Ces cellules d'algues provoquent un aspect vert et trouble de l'eau. Pour remédier à ce problème, il faut utiliser une unité UVC.

NOTE Lorsque vous n'avez pas rincé votre filtre pendant 2 semaines ou plus, il est recommandé de faire fonctionner la pompe à air plus longtemps que d'habitude.

ATTENTION Lorsque vous ne rincez pas votre filtre pendant une longue durée et que vous habitez dans une région où l'eau est peu calcaire, il est recommandé de traiter l'eau de l'étang. Il se pourra que les bactéries dans le filtre consomment tant de carbonate de calcium, que la valeur pH risque de baisser à un niveau trop bas. La valeur PH doit être de 6 au minimum. Dans le commerce, des produits sont disponibles pour augmenter la valeur PH. Demandez conseil à votre distributeur

EXPLICATION CONCERNANT L'UTILISATION DE NITE OUT II ET L'AMORÇAGE DU PROCESSUS DE NITRIFICATION:

Avant l'utilisation de Nite Out II, il est recommandé de d'abord appliquer MICROBE-LIFT Clean & Clear afin de dégrader les autres déchets organiques car des concentrations élevées de ceux-ci peuvent entraver voire empêcher totalement le processus de nitrification. Attendez 1 à 2 jours afin que Clean & Clear agisse et appliquez alors Nite Out II. De plus, il est capital de d'abord tester la valeur pH (elle doit être comprise entre 7,5 et 8,7) et de s'assurer que l'alcalinité est suffisante (dureté provisoire ou KH). La valeur KH doit toujours être d'au moins 3. Cela est indispensable car les bactéries nitrifiantes l'utilisent comme source d'énergie. Pour 1 partie d'ammoniac, 7 parties d'alcalinité sont consommées! Par conséquent, sans une valeur KH correcte, aucune nitrification n'est possible! Pour augmenter la valeur KH, utilisez par exemple AquaForte BioStabil ou Kusuri Bio Balance jusqu'à obtenir une valeur comprise > 3 mg/l.

HIVERNAGE DU FILTRE ULTRABEAD®

Lorsque vous ne souhaitez pas utiliser votre filtre durant l'hiver, procédez comme suit :

1. Effectuez un long cycle de rinçage. Mettez la vanne à 6 voies en position « hiver ». La position hiver correspond à la position entre CIRCULATE et RINSE de sorte qu'il ne soit pas possible qu'il reste de l'eau dans le clapet.
2. Arrêtez la pompe et dévissez et enlevez la (les) vanne(s) de vidange du corps de pompe si vous utilisez une pompe de piscine.
3. Ouvrez la vanne de vidange du filtre à billes et ouvrez ensuite la valve de purge sur le couvercle. L'eau s'écoulera du filtre. **ATTENTION !** Les filtres UltraBead ne sont pas dotés d'un panier en amont du robinet d'évacuation de fond, ce qui fait que les beads peuvent s'échapper. Prêtez-y attention et fermez le robinet dès que des beads sortent du filtre. Ouvrez légèrement le robinet de sorte que seulement de l'eau puisse sortir et pas de beads.
4. Débranchez tous les raccords et veillez à ce que tous les conduites hors sol soient à sec. Ceci est particulièrement important pour les unités UVC !

AU PRINTEMPS:

1. Rebranchez tous les raccords que vous aviez débranchés pour la procédure d'hivernage.
2. Mettez la vanne à 6 voies de l'UltraBead en position FILTER, fermez la vanne de vidange et ouvrez la valve de purge sur le couvercle. Mettez la pompe en marche. Fermez la valve de purge lorsque l'eau s'échappe par celle-ci et arrêtez la pompe. Effectuez un cycle complet de rinçage. Durant les premières semaines de fonctionnement, il est recommandé de bien vérifier les taux d'ammonium et de nitrite.

DEPANNAGE

Baisse du débit d'eau

1. Une réduction de la quantité d'eau passant par le système indique généralement qu'il est temps de rincer le filtre. Le filtre à billes a été conçu pour retenir d'une manière très efficace toutes les impuretés. Lorsque les billes sont saturées d'impuretés, le débit d'eau baisse. Effectuez dans ce cas un cycle complet de rinçage.
2. Si le débit reste insuffisant après le cycle de rinçage, vérifiez si la crépine de la pompe ou le préfiltre d'une pompe immergée est bouché(e) en fonction du type de pompe utilisé.

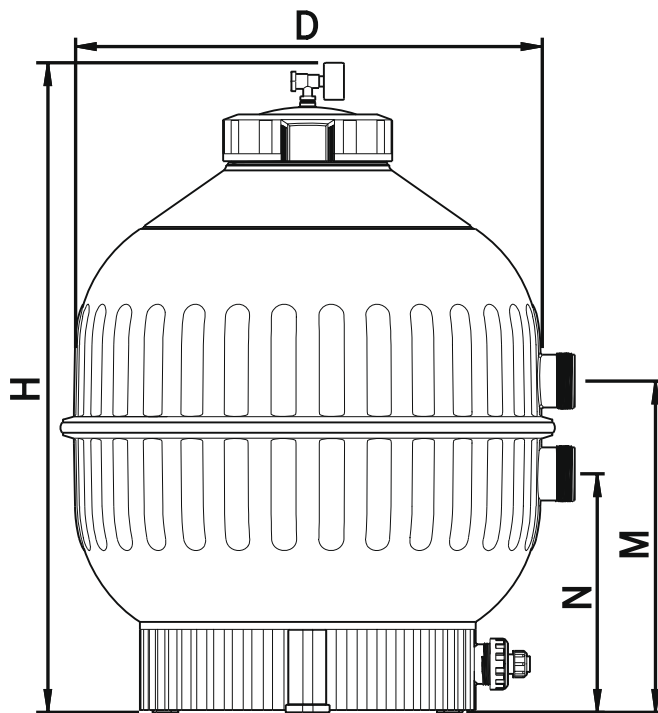
Baisse de limpidité de l'eau

1. Lorsque la culture de bactéries s'est formée dans le filtre, ce qui peut prendre 4 à 6 semaines à une température de 15 à 22 °C, et que les bonnes qualité et limpidité de l'eau baissent à présent, il est recommandé d'effectuer d'abord un cycle de rinçage. Il est notamment conseillé de faire fonctionner la pompe à air plus longtemps que d'habitude.
2. Lorsque la limpidité ne s'améliore pas ou ne s'améliore que temporairement, ouvrez le filtre et vérifiez l'état des billes et de la tuyauterie. Si la qualité de l'eau ne s'améliore pas et que vous avez équipé votre système d'unités UVC, vérifiez le fonctionnement et la puissance des lampes UV. En fonction de leur qualité, la puissance de certaines lampes UV peut diminuer en cas d'une utilisation continue pendant 6 mois. Certaines marques fournissent des lampes qui fonctionnent pendant un an. Vérifiez la dernière date de remplacement des lampes et remplacez-les au besoin. Il faut remplacer les lampes au moins une fois par saison.
3. Si la qualité de l'eau ne s'améliore pas, vérifiez le débit de votre système. Le volume total de l'étang doit passer au moins 3 à 4 fois par jour par le système de filtration. Si le volume de l'étang ne passe pas assez souvent par le système de filtration, la quantité d'impuretés retenues par le filtre diminue. Vérifiez le bon débit en suivant les instructions indiquées ci-dessus. Assurez-vous que la puissance de la pompe est adaptée au volume de votre étang.

Taux élevés d'ammonium et de nitrite alors que les valeurs étaient stables dans le passé

Lorsque la température de l'eau de votre étang se situe pendant 6 semaines ou plus autour de 20°C et que les taux d'ammonium et de nitrite étaient stables dans le passé, et que vous mesurez à présent une hausse des valeurs, nous vous recommandons de procéder comme suit :

1. Effectuez un cycle de rinçage plus long que d'habitude et faites fonctionner notamment la pompe à air plus longtemps que d'habitude. Lorsque les billes sont entièrement saturées d'impuretés, la surface disponible pour la transformation de l'ammonium se réduit considérablement. Le rinçage libérera la surface active et la transformation biologique pourra redémarrer.
2. Lorsque les valeurs d'ammonium restent trop élevées après le rinçage, ouvrez le filtre et vérifiez si la tuyauterie n'est pas encrassée et que les billes ne sont pas excessivement agglutinées. Séparez manuellement les billes agglutinées les unes des autres et effectuez un cycle de rinçage.
3. Lorsque le taux d'ammonium reste toujours élevé, vérifiez la quantité d'aliments distribués dans l'étang. Une quantité de 100 litres de billes avec une culture de bactéries développée peut décomposer 700 grammes d'aliments environ à une teneur en albumine de 35%. Vérifiez le volume des billes dans le filtre et comparez-le au volume d'aliments distribués quotidiennement.
4. Si le taux d'ammonium reste élevé, vérifiez le débit du filtre. Le volume total de l'étang doit passer au moins 3 à 4 fois par jour par le système de filtration. En cas d'un débit insuffisant, la décomposition de l'ammonium sera insuffisante aussi. Lorsque le débit est insuffisant, nous vous recommandons de suivre les instructions ci-dessus pour remédier aux problèmes relatifs à un débit insuffisant.
5. Lorsque les situations ci-dessus ne semblent pas être en cause, vérifiez la population des poissons dans votre étang. Cette population est bien évidemment également liée aux aliments distribués quotidiennement dans l'étang. En cas d'une surpopulation, la distribution d'aliments sera excessive aussi, ce qui provoque une augmentation du taux d'ammonium. Vérifiez si la capacité du filtre correspond à vos attentes.
6. Si malgré les vérifications ci-dessus, le taux d'ammonium reste élevé, contactez votre distributeur



FR

	UB60	UB100	UB140
Ø D (mm)	600	750	900
H (mm)	875	1045	1215
M (mm)	445	575	675
N (mm)	320	345	405
Raccords	Ø63mm	Ø63mm	Ø75mm
Max. Flux m ³ /h	18	24	30

TYPE	RÉF.	ÉTANG DE BAINNADE MAX.	CAP. D'ETANG MAX.	TENEUR EN POISSONS MAX.	AGENT (BEADS)
UB 60	SK403	80 m ³	40 m ³	100 kg	120 ltr
UB 100	SK405	120 m ³	60 m ³	135 kg	170 ltr
UB 140	SK407	200 m ³	100 m ³	200 kg	255 ltr